

GREENWAY PARK PUBLIC SCHOOL WYATTVILLE DRIVE, CARNES HILL NSW 2171

CIVIL DRAWINGS



DRAWING LIST	
DRAWING NUMBER	DRAWING TITLE
GPPS-MHT-00-00-DR-C-0010	COVER SHEET, DRAWING INDEX AND LOCALITY PLAN
GPPS-MHT-00-00-DR-C-0020	STANDARD NOTES
GPPS-MHT-00-00-DR-C-0060	EROSION AND SEDIMENT CONTROL PLAN
GPPS-MHT-00-00-DR-C-0065	EROSION AND SEDIMENT CONTROL DETAILS
GPPS-MHT-00-00-DR-C-0070	BULK EARTHWORKS PLAN
GPPS-MHT-00-00-DR-C-0080	BULK EARTHWORKS LONGITUDINAL SECTIONS
GPPS-MHT-00-00-DR-C-0101	CIVIL SITEWORKS PLAN
GPPS-MHT-00-00-DR-C-0200	CIVIL DETAILS
GPPS-MHT-00-00-DR-C-0300	ON-SITE DETENTION TANK DETAILS
GPPS-MHT-00-00-DR-C-0710	STORMWATER DRAINAGE PIT SCHEDULE

IMPORTANT NOTES

- PRIOR TO THE COMMENCEMENT OF BUILDING WORKS ON SITE, THE CONTRACTOR MUST VERIFY THE FEASIBILITY OF THE OUTFALL STORMWATER DRAINAGE SYSTEMS TO THE LEGAL POINT OF DISCHARGE AS DOCUMENTED BY:
 - VERIFICATION OF THE INVERT LEVEL OF THE DRAIN FORMING THE LEGAL POINT OF DISCHARGE
 - VERIFICATION THAT THE ROUTE FROM THE SITE TO THE LEGAL POINT/S OF DISCHARGE IS CLEAR OF ALL OTHER AUTHORITY SERVICES.
 IF EITHER OF THE ABOVE CANNOT BE VERIFIED, THE CONTRACTOR MUST IMMEDIATELY NOTIFY THE SUPERINTENDENT.
- PRIOR TO THE COMMENCEMENT OF ANY WORKS, THE CONTRACTOR SHALL LOCATE ALL UNDERGROUND SERVICES, NOTIFY THE AUTHORITIES RESPONSIBLE FOR THOSE SERVICES AND COMPLY WITH ALL OF THE REQUIREMENTS OF THOSE AUTHORITIES.

ENVIRONMENTAL MANAGEMENT PLAN


PRIOR TO THE COMMENCEMENT OF ANY WORKS THE CONTRACTOR SHALL PREPARE A SITE MANAGEMENT PLAN FOR APPROVAL BY THE SUPERINTENDENT. ITEMS TO BE ADDRESSED INCLUDE:

- EROSION AND SEDIMENT CONTROL
- FLORA AND FAUNA CONSERVATION
- WATER QUALITY MANAGEMENT
- DUST CONTROL
- NOISE CONTROL
- ACCESS MANAGEMENT
- WASTE MANAGEMENT
- POLLUTION CONTROL
- MONITORING AND REPORTING
- CORRECTIVE ACTION

ATTENTION TO CONTRACTOR OH & S REQUIREMENTS

- IN ACCORDANCE WITH CLAUSE 15 OF AS2124-1992, THE CONTRACTOR MUST ENSURE THE SAFETY OF THE CONTRACTOR'S EMPLOYEES AND ALL OTHER PEOPLE WHO ARE ON OR ADJACENT TO THE SITE, THE CONTRACTOR MUST COMPLY WITH THE NSW WHS ACT OF 2011.
- THE CONTRACTOR MUST ENSURE THAT ALL PEOPLE EMPLOYED ON THE SITE WEAR APPROVED SAFETY APPAREL. THIS INCLUDES SAFETY HELMETS, SAFETY BOOTS, EAR AND EYE PROTECTION, WHERE APPROPRIATE.
- THE CONTRACTOR IS NOT PERMITTED TO BREAK-IN TO AN EXISTING LIVE PIPELINE, ENTER A LIVE ACCESS CHAMBER OR REMOVE THE COVER TO A LIVE ACCESS CHAMBER.
- THE CONTRACTOR IS RESPONSIBLE FOR LOCATING ALL EXISTING SERVICES IN WORKS AFFECTED AREAS PRIOR TO COMMENCING ANY WORKS.

HEALTH AND SAFETY



THE CONTRACTOR SHALL BE TOTALLY RESPONSIBLE FOR AND AT ALL TIMES PROVIDE A SAFE WORKING ENVIRONMENT IN THE VICINITY OF THE SITE OF WORKS IN FULL COMPLIANCE WITH THE OCCUPATIONAL HEALTH AND SAFETY REGULATIONS.

- THE OBLIGATION OF MEINHARDT (OR OTHER RELEVANT MEINHARDT ENTITY), (MEINHARDT) AS THE DESIGN ENGINEER IS LIMITED TO ENSURING THAT THOSE PARTS OF THE BUILDING OR STRUCTURE THAT ARE TO BE USED AS A WORKPLACE ARE, AS FAR AS REASONABLY PRACTICABLE, DESIGNED TO BE SAFE AND WITHOUT RISKS TO THE HEALTH OF THOSE PERSONS USING THE BUILDING OR STRUCTURE AS A WORKPLACE FOR THE PURPOSE FOR WHICH IT WAS DESIGNED IN ACCORDANCE WITH SECTION 22 OF THE NSW WHS ACT 2011.
- MEINHARDT IS NOT RESPONSIBLE FOR THE OCCUPATIONAL HEALTH AND SAFETY OF PERSONS AT THE SITE AS THOSE OBLIGATIONS RESIDE WITH THE CONTRACTORS AND/OR SUB-CONTRACTORS WHO OCCUPY OR HAVE CONTROL OF THE SITE IN ACCORDANCE WITH APPLICABLE OCCUPATIONAL HEALTH AND SAFETY LEGISLATION, CODES OR PRACTICE, GUIDANCE NOTES, AUSTRALIAN STANDARDS AND OTHER RELEVANT DOCUMENTATION.
- ANY ADVICE OR GUIDANCE CONCERNING OCCUPATIONAL HEALTH AND SAFETY ISSUES ARISING AT THE SITE SHOULD BE DIRECTED TO THE HEALTH AND SAFETY EXECUTIVE OR OFFICER NOMINATED FOR THE PROJECT.

NOTE:
THIS PROJECT SHOULD BE READ IN CONJUNCTION WITH ALL OTHER SERVICES CONSULTANTS ASSOCIATED WITH THIS PROJECT BEFORE COMMENCEMENT OF ANY WORKS.

ALL EXISTING PROPERTY SERVICES' LOCATIONS AND DEPTHS ARE APPROXIMATE AND MUST BE VERIFIED ON SITE. THE CONTRACTOR SHOULD SUPPLY PRECISE LOCATIONS AND DEPTHS TO THE SUPERINTENDENT FOR REVIEW PRIOR TO ANY WORKS THAT MAY AFFECT THESE SERVICES.

GEOTECHNICAL DESIGN COMPLIANCE AND SITE INSPECTION ATTENDANCE

THESE DESIGN PLANS SHALL BE READ IN CONJUNCTION WITH GEOTECHNICAL REPORT No. PS206292-SYD-GEO-REP-001-REV01 DATED 17 NOVEMBER 2023 PREPARED BY WSP. THE PROVISIONS AND RECOMMENDATION CONTAINED WITHIN THE REPORT ARE TO BE STRICTLY COMPLIED WITH.

ALL COMPACTION REQUIREMENT RESULTS SHALL BE CARRIED OUT IN ACCORDANCE WITH GEOTECHNICAL REPORT RECOMMENDATIONS.

LATENT CONDITIONS (SUBGRADE IMPROVEMENTS)

ANY ADDITIONAL WORKS WHICH MAY LEAD TO A VARIATION SHALL BE APPROVED BY THE SUPERINTENDENT PRIOR TO THE COMMENCEMENT OF ANY WORKS AND INCLUDE THE FOLLOWING PROVISIONS:

- NOTIFICATIONS FOR INSPECTIONS TO SUPPORT POTENTIAL VARIATION CLAIMS REQUIRE MINIMUM 48 HOUR NOTICE PERIOD. (SITE REPRESENTATION WILL BE AT THE DISCRETION OF THE SUPERINTENDENT).
- SUBGRADE IMPROVEMENTS ARE TO BE MANAGED BY THE PROJECT GEOTECHNICAL ENGINEER WITH INPUT FROM THE SUPERINTENDENT.
- CONSULTANT COSTS FOR GEOTECHNICAL REPRESENTATION AND REPORTING TO BE BORNE BY THE CONTRACTOR
- ADDITIONAL INSPECTIONS BY THE SUPERINTENDENT TO SUPPORT VARIATION CLAIMS FOR LATENT CONDITIONS SHALL BE BORNE BY CONTRACTOR



WARNING PROPOSED SERVICES

THE LOCATION AND EXTENT OF PROPOSED SERVICES IS INDICATIVE ONLY AND ARE NOT TO BE USED FOR CONSTRUCTION. REFER TO AUTHORISED DOCUMENTATION BY RELEVANT AUTHORITY FOR CONSTRUCTION DETAILS

WARNING BEWARE OF UNDERGROUND SERVICES

THE LOCATIONS OF UNDERGROUND SERVICES ARE APPROXIMATE ONLY AND THEIR EXACT POSITION SHOULD BE PROVEN ON SITE. NO GUARANTEE IS GIVEN THAT ALL EXISTING SERVICES ARE SHOWN.

REV	DESCRIPTION	BY	DES	CHKD	DATE
P1	80% SCHEMATIC DESIGN	DH	G.P	Y.C	12.12.24
P2	100% SCHEMATIC DESIGN	DH	G.P	Y.C	16.01.25
T1	TENDER ISSUE	DH	G.P	Y.C	21.02.25

MEINHARDT
Meinhardt Infrastructure and Environment PTY. LTD.
A.C.N. 051 627 591
Level 4, 65 Clarence Street
Sydney NSW 2000
Australia
T: +61 2 9559 3088
F: +61 2 9319 7518
info@meinhardtgroup.com
http://www.meinhardtgroup.com
© Copyright

CLIENT
NSW School Infrastructure NSW
TITLE
COVER SHEET, DRAWING INDEX AND LOCALITY PLAN

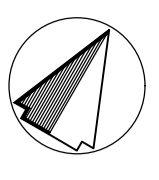
PROJECT
GREENWAY PARK PUBLIC SCHOOL
WYATTVILLE DRIVE, CARNES HILL NSW 2171

STATUS
TENDER ISSUE
NOT TO BE USED FOR CONSTRUCTION

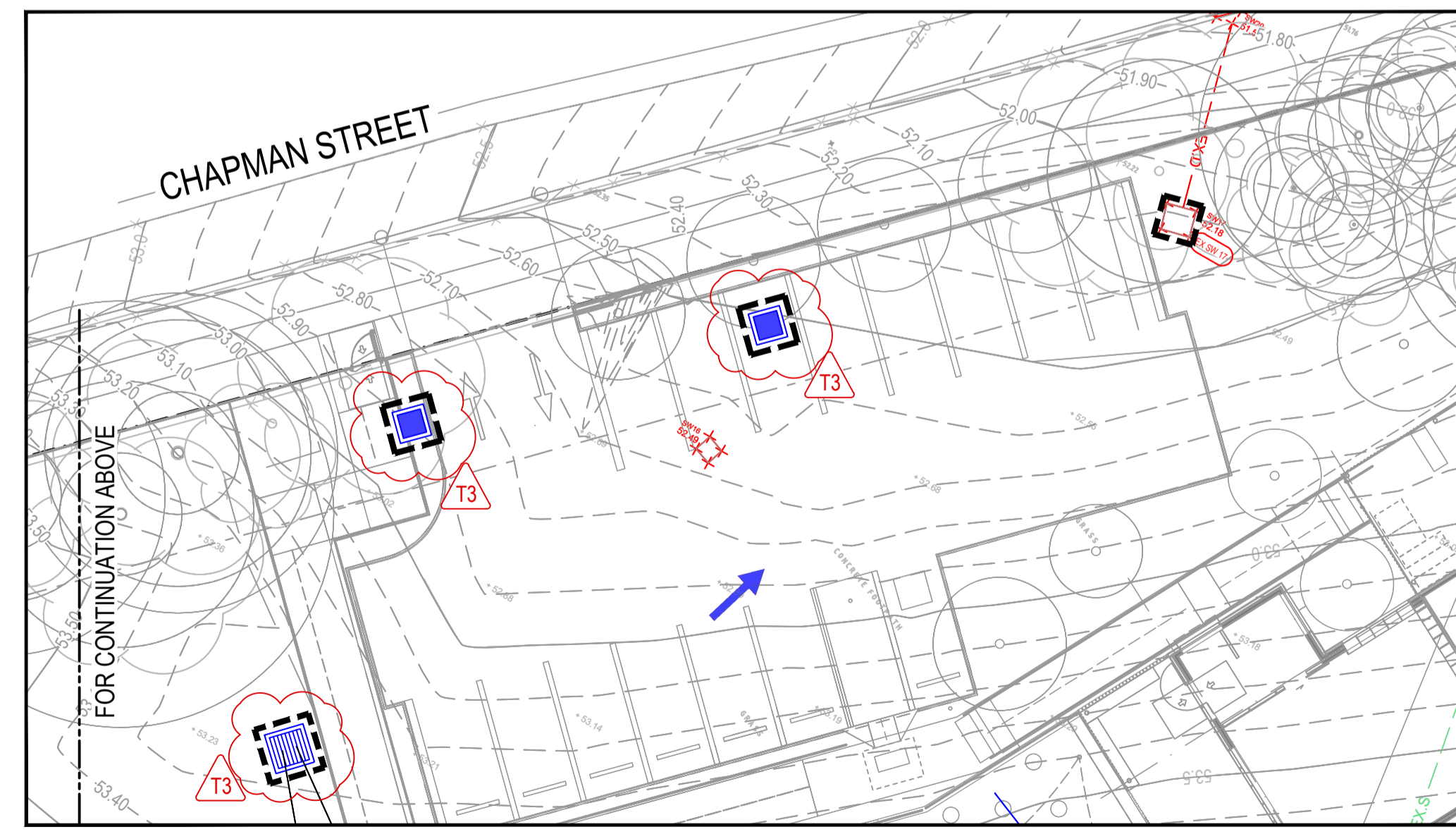
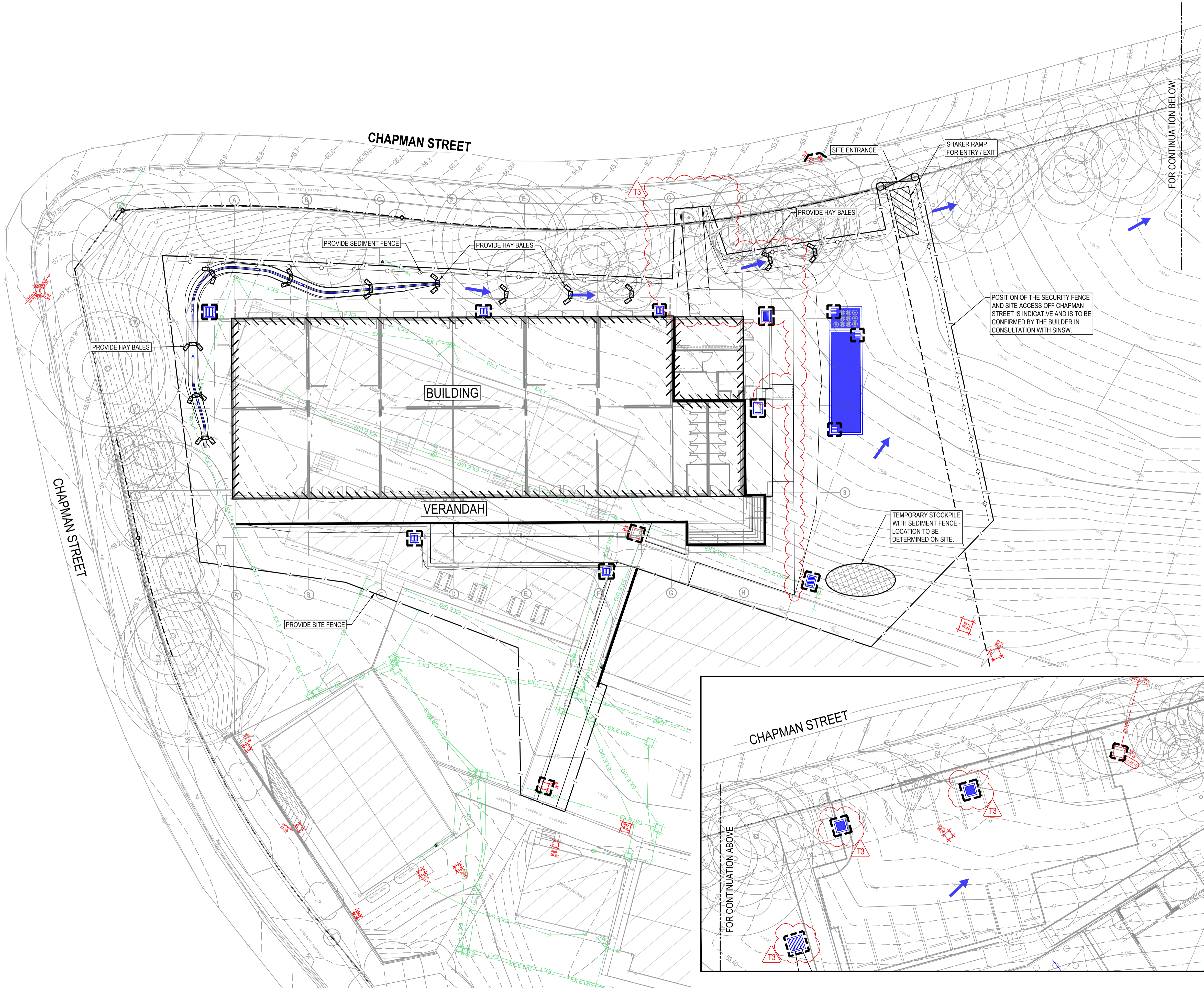
DRAWN	DESIGNED	CHECKED	APPROVED	DATE	SCALE @ AT
M.D	G.P	Y.C			N.T.S

PROJECT No: 132565
DRAWING No: GPPS-MHT-00-00-DR-C-0010
REV: T1

DWG FILE: V:\132565_SCHOOL\Infrastructure\PS25_Bulk_CD\2_Drawing_MHT\CD\TIME: 27 Feb 2025 10:00am



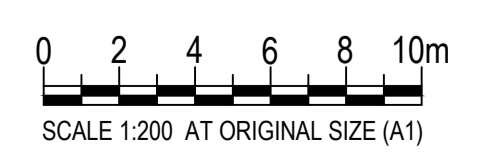
LEGEND	
ITEM	DESCRIPTION
--- 150.6 ---	EXISTING SURFACE CONTOURS
---	TITLE BOUNDARY
---	EXISTING STORMWATER DRAIN
---	EXISTING STORMWATER PIT
---	EXISTING SEWER
---	EXISTING GAS
---	EXISTING WATER
---	EXISTING RECYCLED WATER
---	EXISTING ELECTRICITY
---	EXISTING OVERHEAD ELECTRICITY
---	EXISTING LOW VOLTAGE ELECTRICITY
---	EXISTING HIGH VOLTAGE ELECTRICITY
---	EXISTING TELECOM CABLE
---	EXISTING FIBRE OPTIC CABLE
---	EXISTING NBN COMMS CABLE
X X	EXISTING FEATURES TO BE REMOVED
○	EXISTING TREE
---	HOARDING/SECURITY FENCE
---	SEDIMENT FENCE
---	BUILDING OUTLINE
---	SITE ACCESS GATE
---	SHAKER RAMP FOR ENTRY/EXIT
---	TEMPORARY STOCKPILE (LOCATION TBC ON-SITE)
---	GEOTEXTILE PIT FILTER / FILTER SURROUND INSTALLED ON EXISTING PIT
---	SANDBAGS INSTALLED ON EXISTING PIT
---	OVERLAND FLOW ARROW



WARNING
PROPOSED SERVICES
 THE LOCATION AND EXTENT OF PROPOSED SERVICES IS INDICATIVE ONLY AND ARE NOT TO BE USED FOR CONSTRUCTION. REFER TO AUTHORISED DOCUMENTATION BY RELEVANT AUTHORITY FOR CONSTRUCTION DETAILS

WARNING
BEWARE OF UNDERGROUND SERVICES
 THE LOCATIONS OF UNDERGROUND SERVICES ARE APPROXIMATE ONLY AND THEIR EXACT POSITION SHOULD BE PROVEN ON SITE. NO GUARANTEE IS GIVEN THAT ALL EXISTING SERVICES ARE SHOWN.

REV	DESCRIPTION	BY	DES	CHKD	DATE
P1	80% SCHEMATIC DESIGN	D.H.	G.P.	Y.C.	12.12.24
P2	100% SCHEMATIC DESIGN	D.H.	G.P.	Y.C.	16.01.25
T1	TENDER ISSUE	D.H.	G.P.	Y.C.	21.02.25
T2	TENDER ISSUE	D.H.	G.P.	Y.C.	26.02.25
T3	TENDER ISSUE	D.H.	G.P.	Y.C.	13.03.25



MEINHARDT
 Meinhardt Infrastructure and Environment PTY. LTD.
 A.C.N. 051 627 591
 Level 4, 86 Clarence Street
 Sydney NSW 2000
 Australia
 T: +61 2 9559 3088
 F: +61 2 9319 7518
 info@meinhardtgroup.com
 http://www.meinhardtgroup.com
 © Copyright

CLIENT
School Infrastructure NSW
 TITLE
EROSION AND SEDIMENT CONTROL PLAN

PROJECT
GREENWAY PARK PUBLIC SCHOOL
WYATTVILLE DRIVE, CARNES HILL NSW 2171
 STATUS
TENDER ISSUE
 NOT TO BE USED FOR CONSTRUCTION
 DRAWN M.D. DESIGNED G.P. CHECKED Y.C. APPROVED DATE DATE SCALE @ A1
 PROJECT No 132565 DRAWING No GPPS-MHT-00-00-DR-C-0060 REV T3

P:\132565_School Infrastructure\050 - MHT\01 Title\13 Mar 2025_051.mxd

SOIL AND WATER MANAGEMENT NOTES

- IT HAS BEEN ASSUMED THAT HOARDINGS/SILT FENCING WILL BE PROVIDED TO THE STAGE BOUNDARY SUFFICIENT TO PREVENT SEDIMENT RUNOFF FROM LEAVING SITE (EXCEPT IN THE CASE OF ENTRY/EXIT LOCATIONS WHERE TEMPORARY CONSTRUCTION ENTRY/EXIT SEDIMENT TRAP ARE PROVIDED). IF THIS IS NOT THE CASE, PROVIDE SEDIMENT FENCE TO STANDARD DETAIL BELOW AS REQUIRED TO PREVENT SEDIMENT FROM LEAVING SITE. DIRECT RUNOFF TO SEDIMENT BASIN.
- ALL SEDIMENT CONTROL MEASURES TO BE INSTALLED IN ACCORDANCE WITH LANDCOM MANAGING URBAN STORMWATER "BLUE BOOK".
- MINIMISE CLEARING OUTSIDE BASEMENT EXTENT AND IN ACCORDANCE WITH THE ARBORIST REPORT.
- SEDIMENT CONTROL FOR LANDSCAPED WORKS DOWNSTREAM OF THE BUILDING TO INCLUDE A SILTFENCE AND SANDBAGS AS REQUIRED. INSTALL BUND TO DIVERT UPSTREAM CATCHMENT AWAY FROM DISTURBED SOIL AREA TO BE MANAGED AT A RATE OF 166L/S PER HA BY THE CONTRACTOR ON SITE.

SEDIMENT CONTROL CONDITIONS

- SEDIMENT FENCES WILL BE INSTALLED AS SHOWN AND ELSEWHERE AT THE DISCRETION OF THE SITE MANAGER TO CONTAIN COARSER SEDIMENT FRACTIONS INCLUDING AGGREGATED FINES) AS NEAR AS POSSIBLE TO THEIR SOURCE.
- SEDIMENT REMOVED FROM ANY TRAPPING DEVICE WILL BE RELOCATED WHERE FURTHER POLLUTION TO DOWNSLOPE LANDS & WATERWAYS CANNOT OCCUR.
- STOCKPILES WILL BE PLACED WHERE SHOWN ON DRAWING OR ELSEWHERE AT THE DISCRETION OF THE SITE MANAGER AND NOT WITHIN 5m OF HAZARD AREAS INCLUDING LIKELY AREAS OF HIGH VELOCITY FLOWS SUCH AS WATERWAYS, PAVED AREAS & DRIVEWAYS.
- WATER WILL BE PREVENTED FROM DIRECTLY ENTERING THE PERMANENT DRAINAGE SYSTEM WITH INLET FILTERS (SEE DETAILS) UNLESS IT IS SEDIMENT FREE.
- TEMPORARY SEDIMENT TRAPS WILL BE RETAINED UNTIL AFTER THE LANDS THEY ARE PROTECTING ARE COMPLETELY REHABILITATED.
- CONTRACTOR TO DESIGN/SIZE/CONSTRUCT TEMPORARY SEDIMENT BASIN. WATER SHOULD BE ALLOWED TO SETTLE BEFORE DISCHARGE. CONTRACTOR MUST VERIFY THAT WATER QUALITY MEETS AUTHORITIES REQUIREMENTS PRIOR TO DISCHARGE. ACCUMULATED SEDIMENT SHOULD THEN BE REMOVED & DISPOSED OF IN ACCORDANCE WITH ENVIRONMENTAL MANAGEMENT PROCEDURES.

SITE INSPECTION & MAINTENANCE CONDITIONS

THE SITE MANAGER WILL INSPECT THE SITE AT LEAST WEEKLY AND WILL:

- ENSURE THAT DRAINS OPERATE PROPERLY & TO EFFECT ANY NECESSARY REPAIRS
- REMOVE SPILLED SAND OR OTHER MATERIALS FROM HAZARD AREAS, INCLUDING LANDS CLOSER THAN 5m FROM AREAS OF LIKELY CONCENTRATED OR HIGH VELOCITY FLOWS ESPECIALLY WATERWAYS & PAVED AREAS.
- REMOVE TRAPPED SEDIMENT WHENEVER LESS THAN DESIGN CAPACITY REMAINS WITHIN THE STRUCTURE
- ENSURE REHABILITATED LANDS HAVE EFFECTIVELY REDUCED THE EROSION HAZARD AND TO INITIATE UPGRADING OR REPAIR AS APPROPRIATE.
- CONSTRUCT ADDITIONAL EROSION AND/OR SEDIMENT CONTROL WORKS AS MIGHT BECOME NECESSARY TO ENSURE THE DESIRED PROTECTION IS GIVEN TO DOWNSLOPE LANDS AND WATERWAYS.
- MAINTAIN EROSION & SEDIMENT CONTROL MEASURES IN A FULLY FUNCTIONING CONDITION UNTIL ALL EARTHWORK ACTIVITIES ARE COMPLETED AND THE SITE IS REHABILITATED.
- REMOVE TEMPORARY SOIL CONSERVATION STRUCTURES AS THE LAST ACTIVITY IN THE REHABILITATION PROGRAM.

AS PART OF THE STATUTORY 'DILIGENCE OF CARE' RESPONSIBILITIES, THE SITE MANAGER WILL KEEP A LOGBOOK MAKING ENTRIES AT LEAST WEEKLY, IMMEDIATELY BEFORE FORECAST RAIN AND AFTER RAINFALL. ENTRIES WILL INCLUDE:

- THE VOLUME & INTENSITY OF ANY RAINFALL EVENTS
- THE CONDITION OF ANY SOIL & WATER MANAGEMENT WORKS
- THE CONDITION OF VEGETATION & ANY NEED TO IRRIGATE
- THE NEED FOR DUST PREVENTION STRATEGIES
- ANY REMEDIAL WORKS TO BE UNDERTAKEN

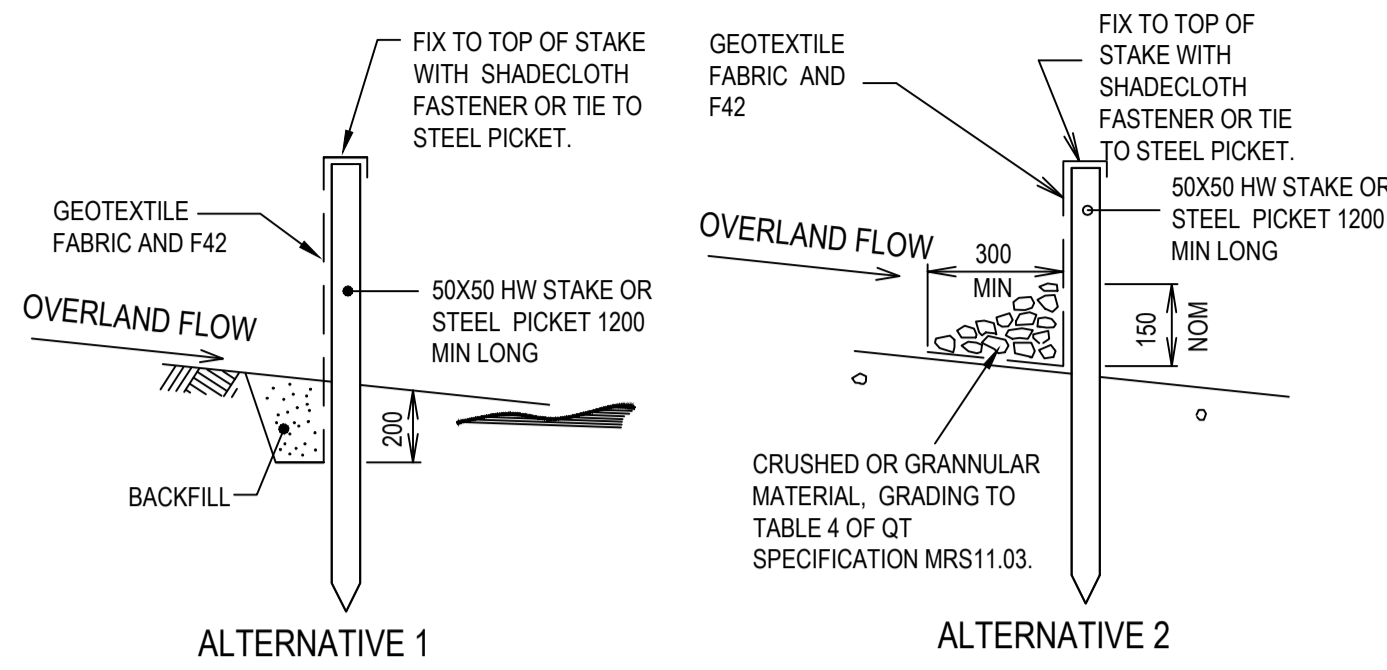
THE BOOK WILL BE KEPT ONSITE & MADE AVAILABLE TO ANY AUTHORISED PERSON ON REQUEST. IT WILL BE GIVEN TO THE PROJECT MANAGER AT THE CONCLUSION OF WORKS.

TREE PROTECTION

REFER TO ARBORIST REPORT FOR THE EXTENT OF TREES PROTECTION ZONE AND THE PROTECTION MEASURES REQUIRED.

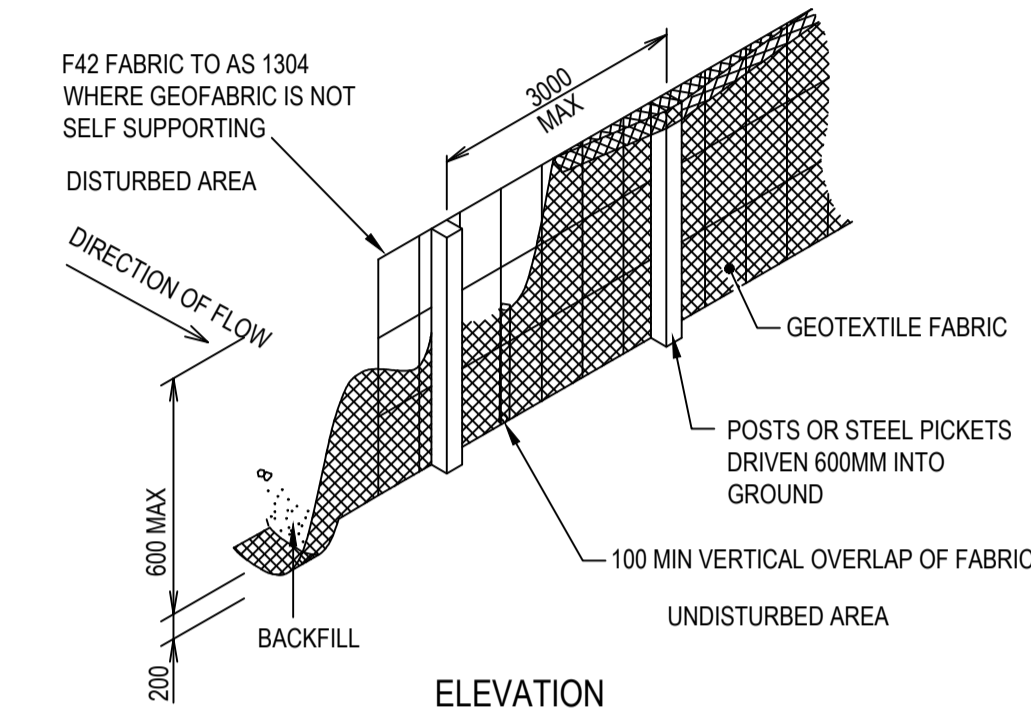
RAILCORP

ALL SURFACE WATER TO BE EITHER DIVERTED INTO SWALE OR DIRECTED TOWARDS SEDIMENTATION TANK TO PREVENT ATER INFILTRATION TOWARDS TUNNELS AS DOCUMENTED ON THIS SHEET.



ALTERNATIVE 1

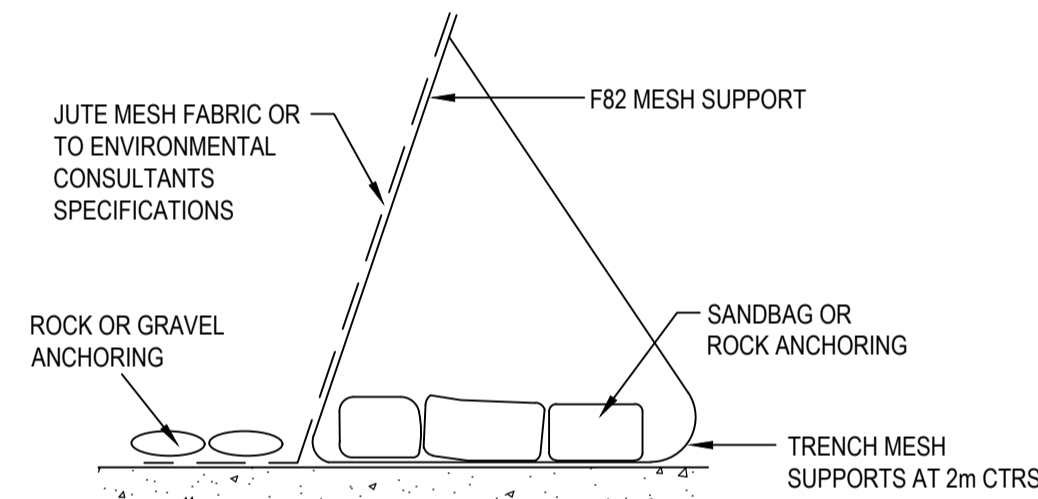
ALTERNATIVE 2



ELEVATION

SEDIMENT FENCE

NOT TO SCALE

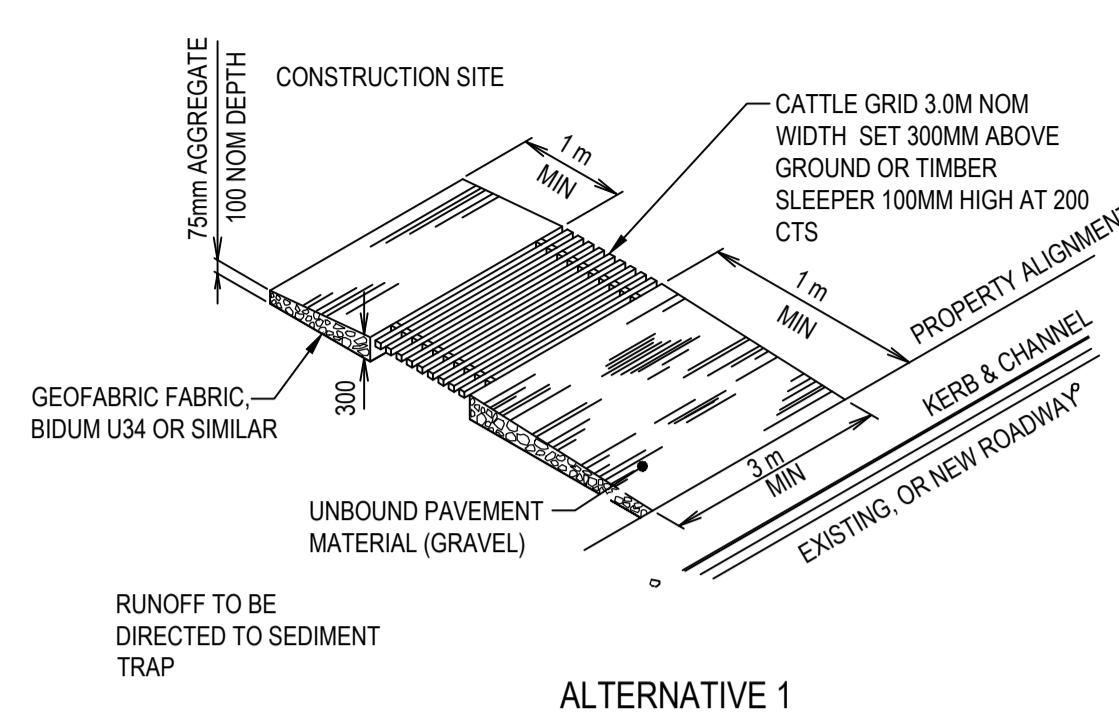


ALTERNATIVE SEDIMENT FENCE

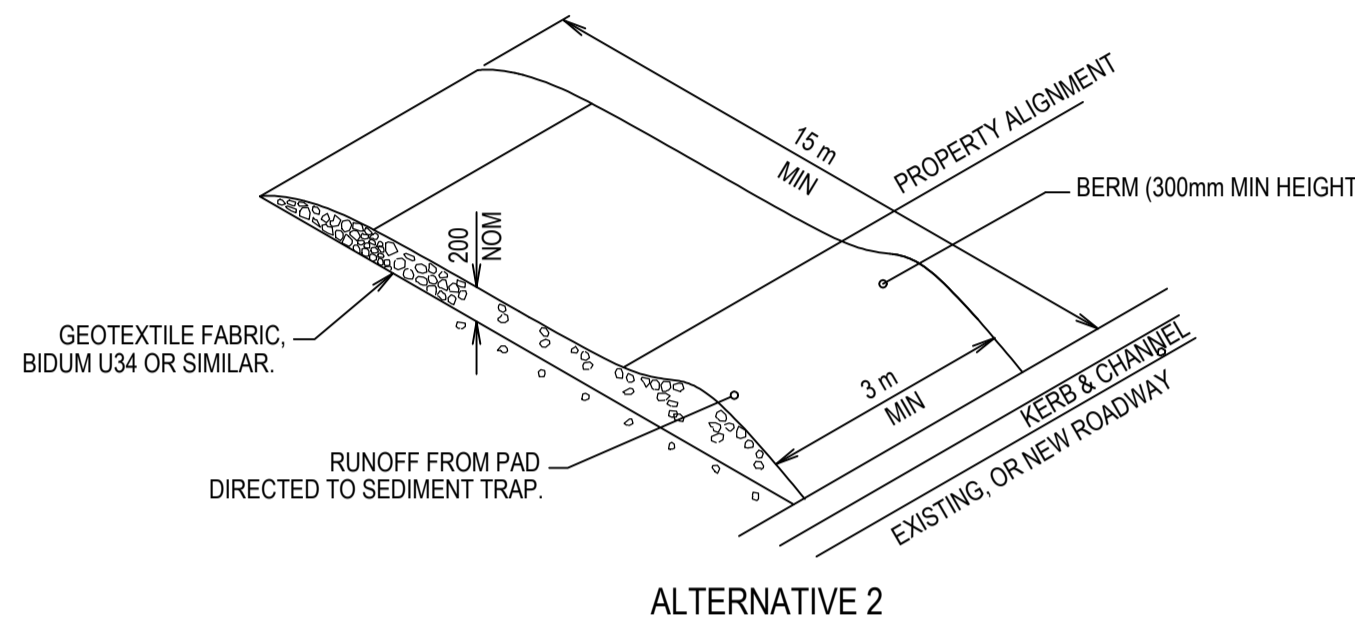
NOT TO SCALE

ALTERNATIVE SEDIMENT FENCE NOTES

- INSTALL THIS TYPE OF SEDIMENT FENCE WHEN USE OF SUPPORT POSTS IS NOT DESIRABLE OR NOT POSSIBLE. SUCH CONDITIONS MIGHT APPLY FOR EXAMPLE, WHERE APPROVAL IS GRANTED FROM THE APPROPRIATE AUTHORITIES TO PLACE THESE FENCES IN HIGHLY SENSITIVE ESTUARINE AREAS.
- USE BENT TRENCH MESH TO SUPPORT THE F82 WELDED MESH FACING AS SHOWN ON THE DRAWING ABOVE. ATTACH THE JUTE MESH TO THE WELDED MESH FACING USING UV-RESISTANT CABLE TIES.
- STABILISE THE WHOLE STRUCTURE WITH SANDBAG OR ROCK ANCHORING OVER THE TRENCH MESH AND THE LEADING EDGE OF THE JUTE MESH. THE ANCHORING SHOULD BE SUFFICIENTLY LARGE TO ENSURE STABILITY OF THE STRUCTURE IN THE DESIGN STORM EVENT, USUALLY THE 10 YEAR EVENT.



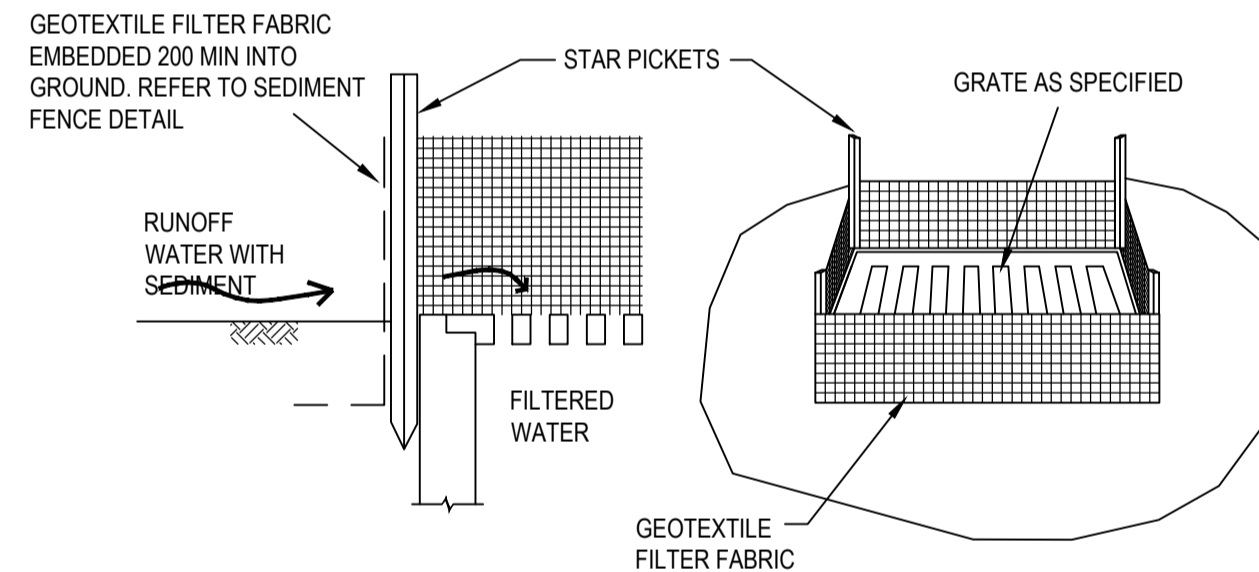
ALTERNATIVE 1



ALTERNATIVE 2

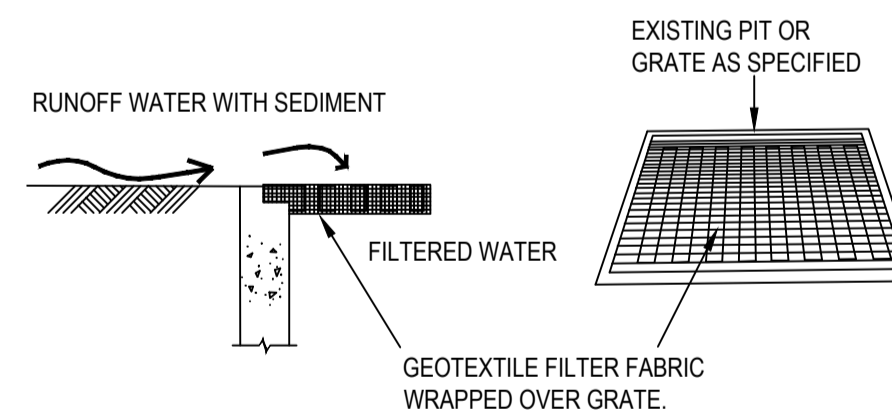
TEMPORARY CONSTRUCTION VEHICLE ENTRY/EXIT SEDIMENT TRAP

NOT TO SCALE



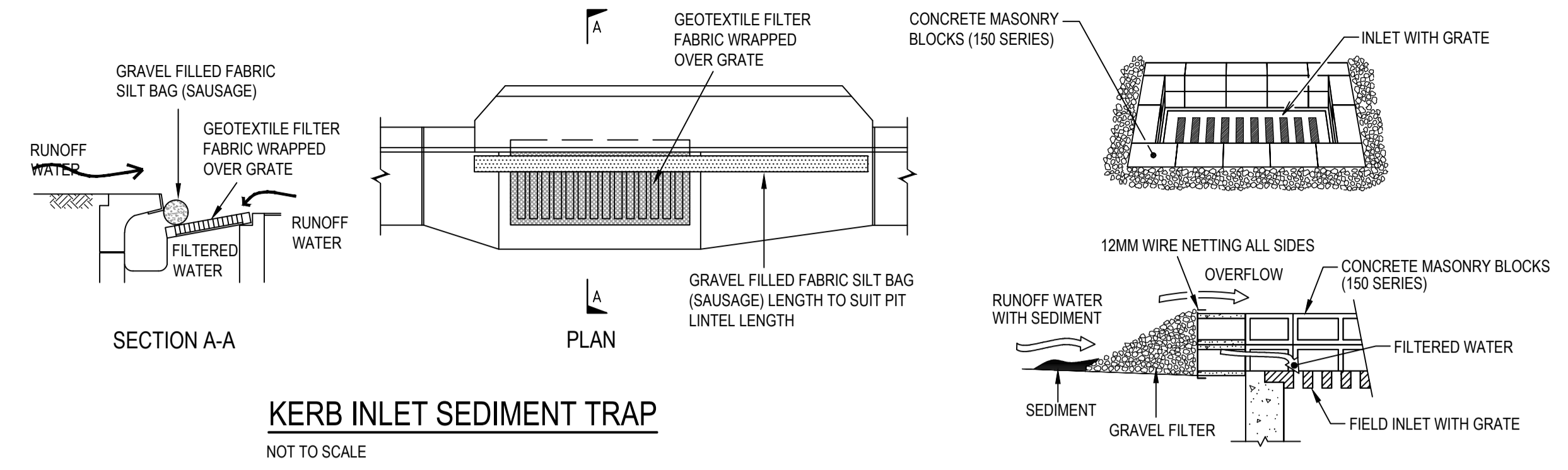
GEOTEXTILE PIT FILTER 1

NOT TO SCALE



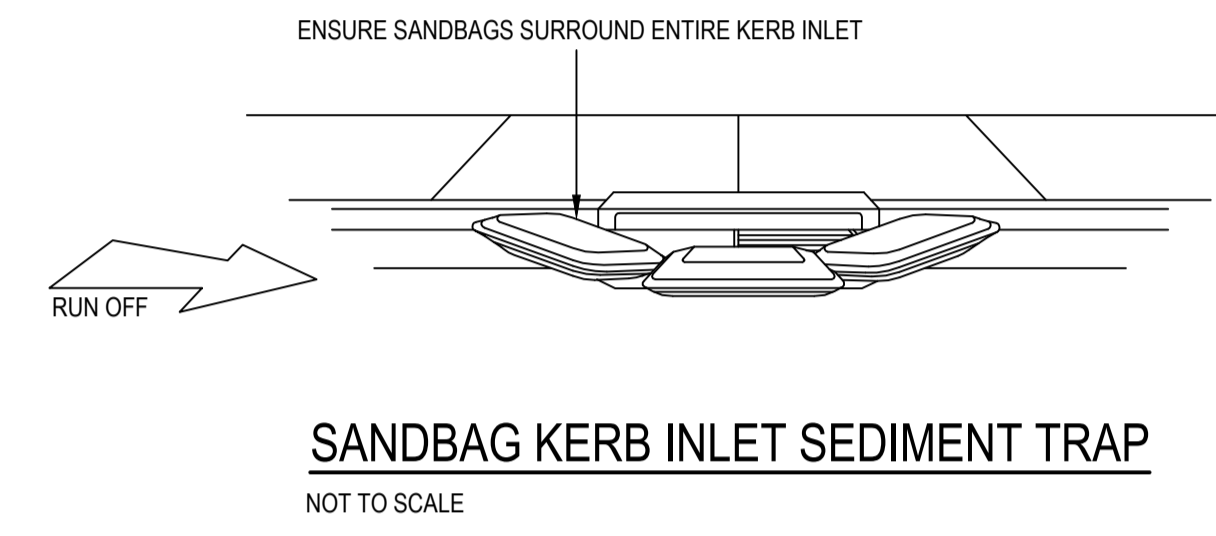
GEOTEXTILE PIT FILTER 2

NOT TO SCALE



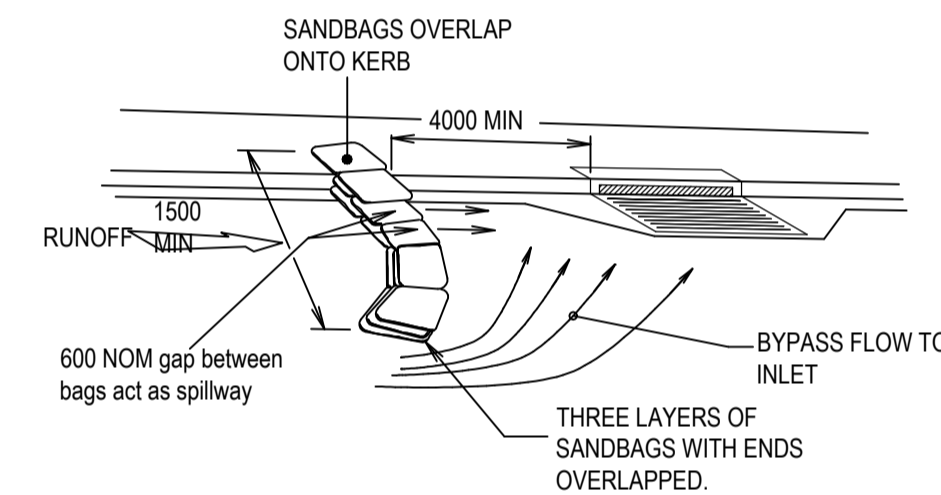
KERB INLET SEDIMENT TRAP

NOT TO SCALE



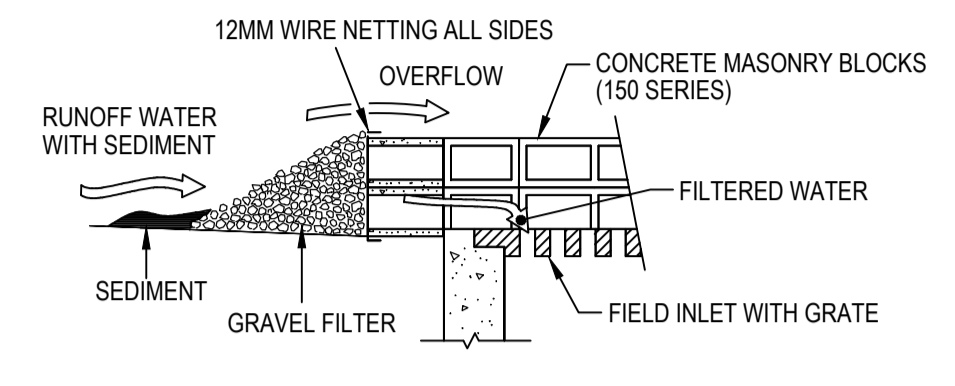
SANDBAG KERB INLET SEDIMENT TRAP

NOT TO SCALE



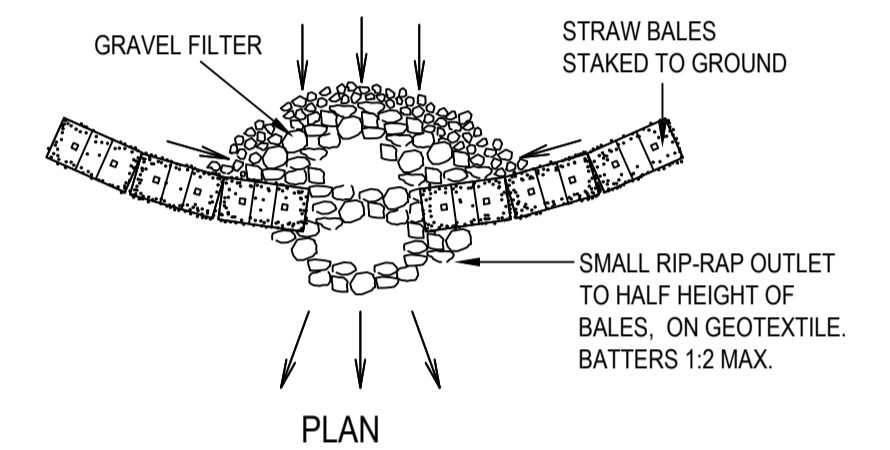
ON GRADE KERB INLET SEDIMENT TRAP

NOT TO SCALE



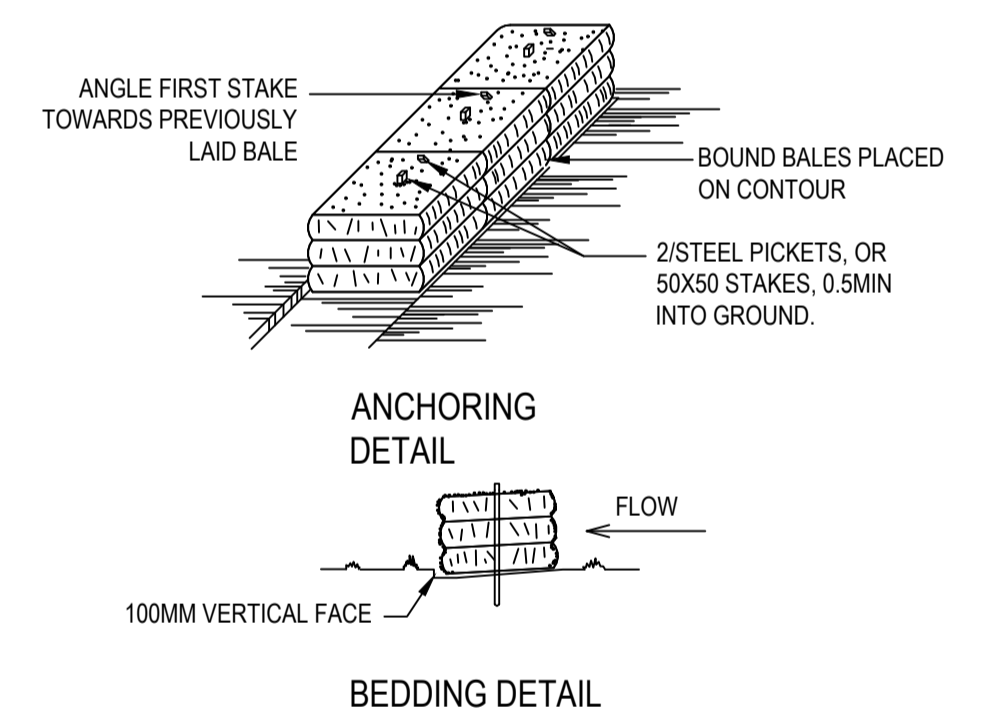
FIELD INLET SEDIMENT TRAP

NOT TO SCALE



STRAW BALE AND STONE TRAP SEDIMENT CONTROL (CONCENTRATE FLOW)

NOT TO SCALE



STRAW BALE BANK SEDIMENT CONTROL

NOT TO SCALE



WARNING
BEWARE OF UNDERGROUND SERVICES
THE LOCATIONS OF UNDERGROUND SERVICES ARE APPROXIMATE ONLY AND THEIR EXACT POSITION SHOULD BE PROVEN ON SITE. NO GUARANTEE IS GIVEN THAT ALL EXISTING SERVICES ARE SHOWN.

REV	DESCRIPTION	BY	DES	CHKD	DATE
P1	80% SCHEMATIC DESIGN	D.H.	G.P.	Y.C.	12.12.24
P2	100% SCHEMATIC DESIGN	D.H.	G.P.	Y.C.	16.01.25
T1	TENDER ISSUE	D.H.	G.P.	Y.C.	21.02.25



Meinhardt Infrastructure and Environment PTY. LTD.
A.C.N. 051 627 591

Level 4, 66 Clarence Street
Sydney NSW 2000
Australia
T: +61 2 9559 3088
F: +61 2 9319 7518
info@meinhardtgroup.com
http://www.meinhardtgroup.com
© Copyright

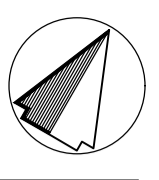
CLIENT
NSW GOVERNMENT
School Infrastructure NSW

TITLE
EROSION AND SEDIMENT CONTROL DETAILS

PROJECT
GREENWAY PARK PUBLIC SCHOOL
WYATTVILLE DRIVE, CARNES HILL NSW 2171

STATUS
TENDER ISSUE
NOT TO BE USED FOR CONSTRUCTION

DRAWN	DESIGNED	CHECKED	APPROVED	DATE	SCALE @ AT
M.D.	G.P.	Y.C.			N.T.S.
PROJECT No	DRAWING No	REV			
132565	GPPS-MHT-00-00-DR-C-0065	T1			



LEGEND	
ITEM	DESCRIPTION
156.6	EXISTING SURFACE CONTOURS
156.6	PROPOSED SURFACE CONTOURS
+156.00	EXISTING SURFACE SPOT LEVELS
- - - -	TITLE BOUNDARY
	PROPOSED RETAINING WALL
	PROPOSED SWALE
	EXISTING STORMWATER DRAIN
	EXISTING STORMWATER PIT
	EXISTING STORMWATER PIT TO BE MODIFIED
	EXISTING SEWER
	EXISTING GAS
	EXISTING WATER
	EXISTING RECYCLED WATER
	EXISTING ELECTRICITY
	EXISTING ELECTRICAL UNDERGROUND
	EXISTING LOW VOLTAGE ELECTRICITY
	EXISTING HIGH VOLTAGE ELECTRICITY
	EXISTING TELECOM CABLE
	EXISTING FIBRE OPTIC CABLE
	EXISTING NBN COMMS CABLE
	EXISTING FEATURES TO BE REMOVED

EARTHWORKS QUANTITIES	
150mm STRIPPED VOLUME =	328m³
TOTAL CUT VOLUME =	246m³
TOTAL FILL VOLUME =	87m³
NET EXPORT VOL UME =	159m³
<small>(NET VOLUME EXCLUDES STRIPPED SOIL AS THIS IS ASSUMED TO BE REMOVED FROM SITE)</small>	

THESE PLANS ARE BASED UPON THE EXISTING CONDITIONS SURVEY PREPARED BY ASTREA, REFERENCE No A4046 REV B DATED 18 OCTOBER 2023.

THESE DESIGN PLANS SHALL BE READ IN CONJUNCTION WITH GEOTECHNICAL REPORT No. PS20292-SYD-CEO-REP-001-REV 01 DATED 17 NOVEMBER 2023 PREPARED BY WSP. THE PROVISIONS AND RECOMMENDATIONS CONTAINED WITHIN THE REPORT ARE TO BE STRICTLY COMPLIED WITH. ALL COMPACTION REQUIREMENT RESULTS SHALL BE CARRIED OUT IN ACCORDANCE WITH GEOTECHNICAL REPORT RECOMMENDATIONS.

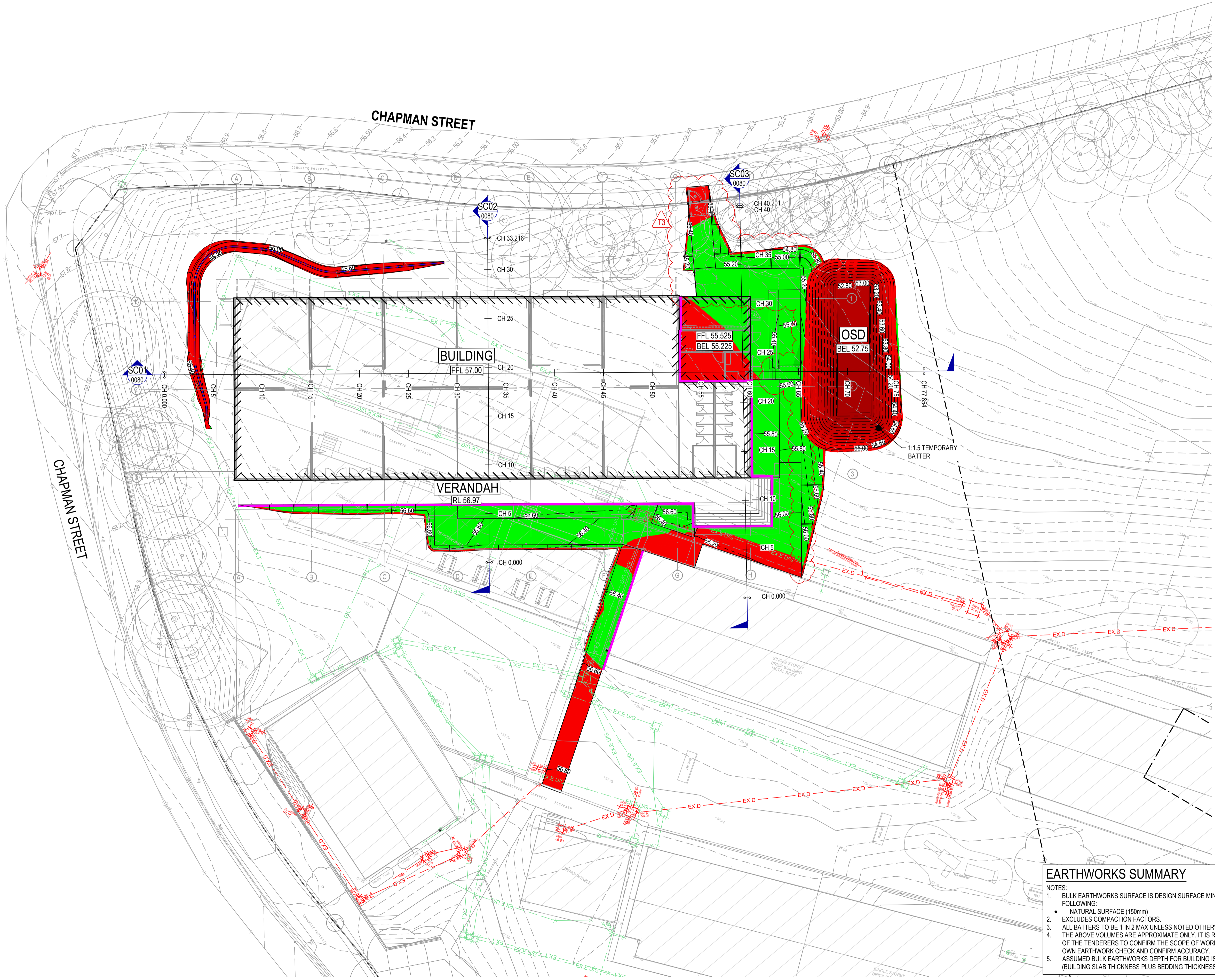
BULK EARTHWORKS			
I.D	MIN. ELEVATION	MAX. ELEVATION	COLOUR
1	-30.000	-1.600	
2	-1.600	-1.400	
3	-1.400	-1.200	
4	-1.200	-1.000	
5	-1.000	-0.800	
6	-0.800	-0.600	
7	-0.600	-0.400	
8	-0.400	-0.200	
9	-0.200	0.000	
10	0.000	0.200	
11	0.200	0.400	
12	0.400	0.600	
13	0.600	0.800	
14	0.800	1.000	



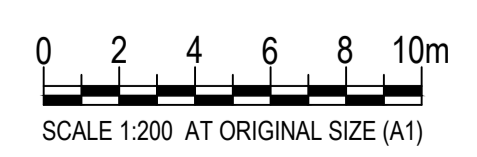
WARNING
PROPOSED SERVICES
 THE LOCATION AND EXTENT OF PROPOSED SERVICES IS INDICATIVE ONLY AND ARE NOT TO BE USED FOR CONSTRUCTION. REFER TO AUTHORISED DOCUMENTATION BY RELEVANT AUTHORITY FOR CONSTRUCTION DETAILS

WARNING
BEWARE OF UNDERGROUND SERVICES
 THE LOCATIONS OF UNDERGROUND SERVICES ARE APPROXIMATE ONLY AND THEIR EXACT POSITION SHOULD BE PROVEN ON SITE. NO GUARANTEE IS GIVEN THAT ALL EXISTING SERVICES ARE SHOWN.

EARTHWORKS SUMMARY
 NOTES:
 1. BULK EARTHWORKS SURFACE IS DESIGN SURFACE MINUS THE FOLLOWING:
 • NATURAL SURFACE (150mm)
 2. EXCLUDES COMPACTION FACTORS.
 3. ALL BATTERS TO BE 1 IN 2 MAX UNLESS NOTED OTHERWISE.
 4. THE ABOVE VOLUMES ARE APPROXIMATE ONLY. IT IS RESPONSIBILITY OF THE TENDERERS TO CONFIRM THE SCOPE OF WORKS, CONDUCT OWN EARTHWORK CHECK AND CONFIRM ACCURACY.
 5. ASSUMED BULK EARTHWORKS DEPTH FOR BUILDING IS 250mm (BUILDING SLAB THICKNESS PLUS BEDDING THICKNESS).



REV	DESCRIPTION	BY	DES	CHKD	DATE
P1	80% SCHEMATIC DESIGN	D.H.	G.P.	Y.C.	12.12.24
P2	100% SCHEMATIC DESIGN	D.H.	G.P.	Y.C.	16.01.25
T1	TENDER ISSUE	D.H.	G.P.	Y.C.	21.02.25
T2	TENDER ISSUE	D.H.	G.P.	Y.C.	26.02.25
T3	TENDER ISSUE	D.H.	G.P.	Y.C.	13.03.25



MEINHARDT
 Meinhardt Infrastructure and Environment PTY. LTD.
 A.C.N. 051 627 591
 Level 4, 88 Clarence Street
 Sydney NSW 2000
 Australia
 T: +61 2 9559 3088
 F: +61 2 9319 7518
 info@meinhardtgroup.com
 http://www.meinhardtgroup.com
 © Copyright

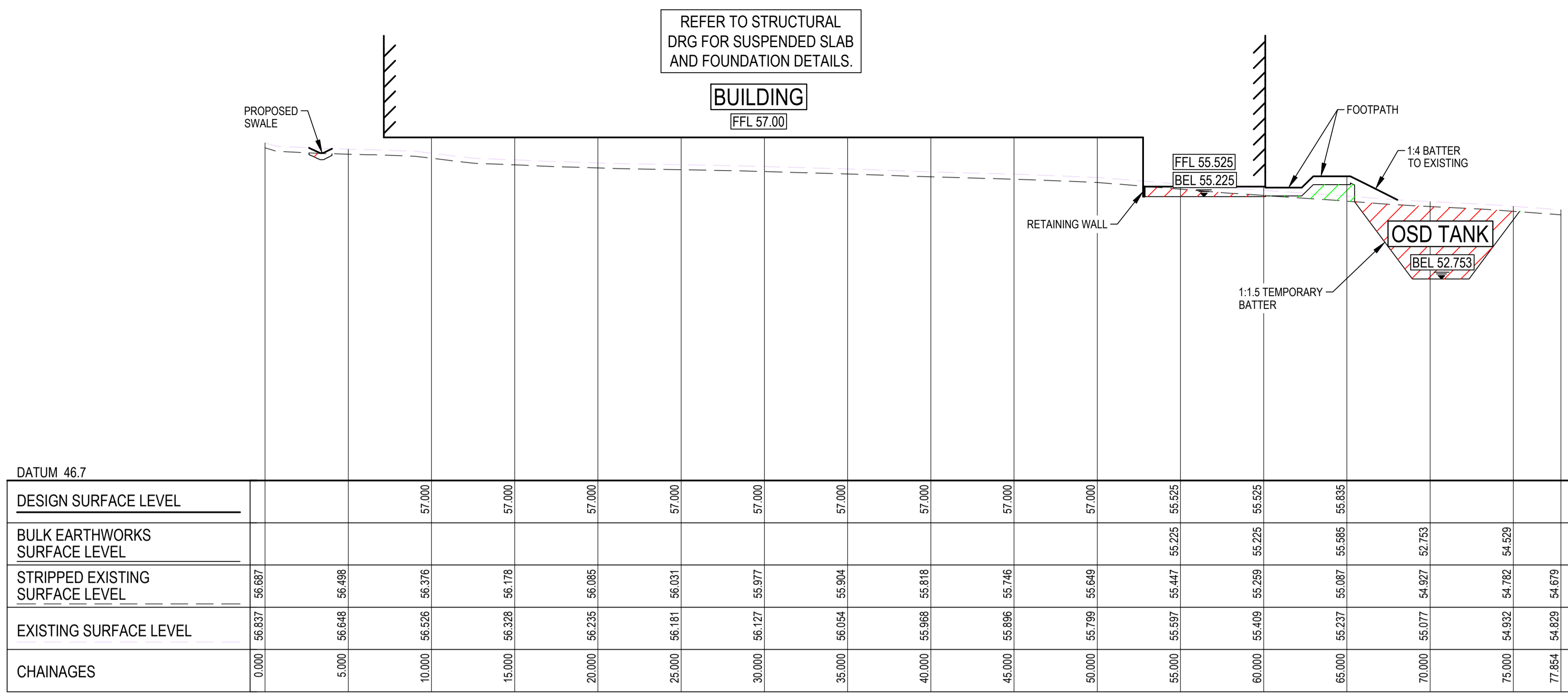
CLIENT

School Infrastructure NSW
 TITLE
BULK EARTHWORKS PLAN

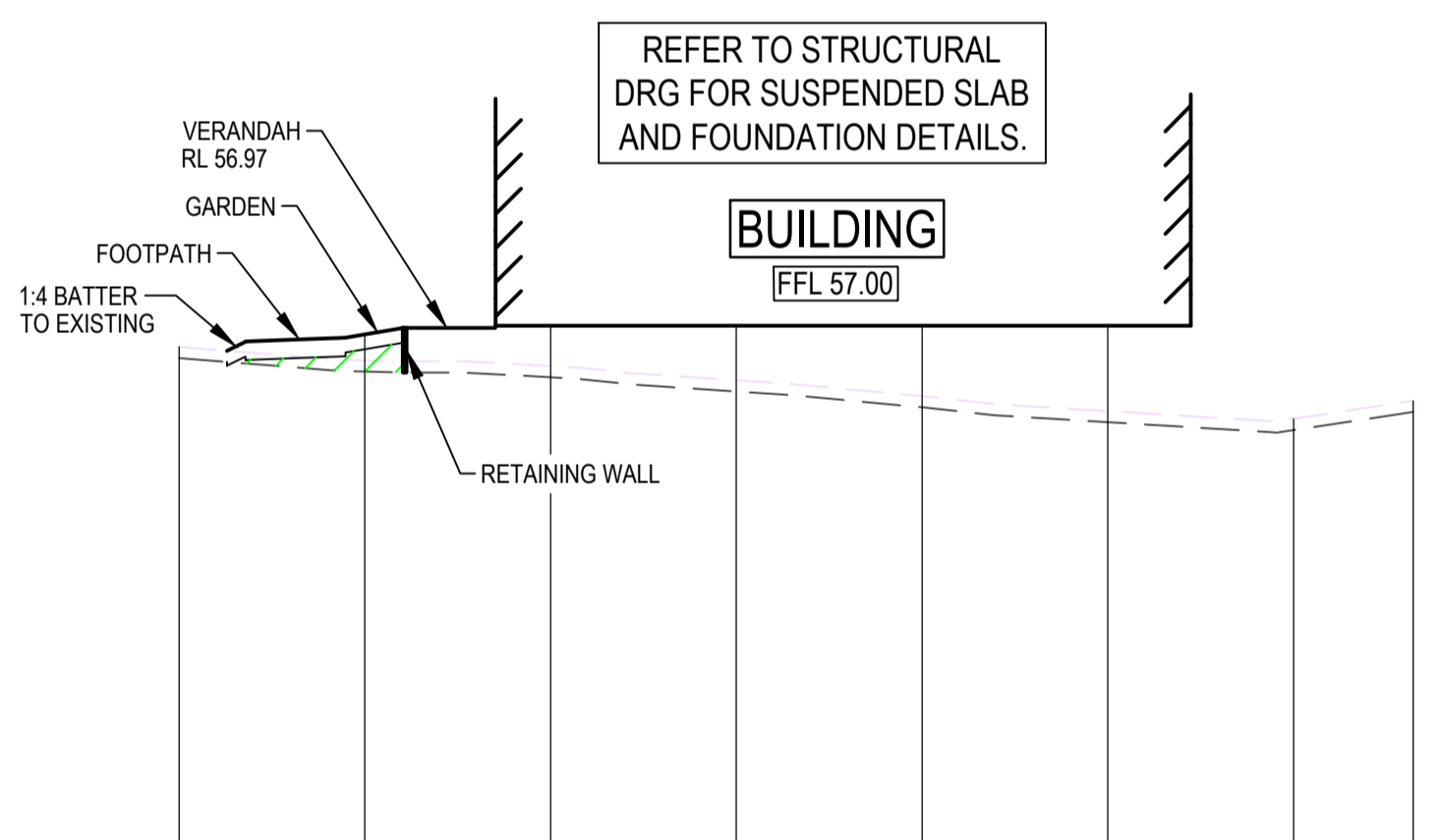
PROJECT
GREENWAY PARK PUBLIC SCHOOL
WYATTVILLE DRIVE, CARNES HILL NSW 2171
 STATUS
TENDER ISSUE
 NOT TO BE USED FOR CONSTRUCTION
 DRAWN M.D. DESIGNED G.P. CHECKED Y.C. APPROVED DATE DATE SCALE @ A1 1:200
 PROJECT No 132565 DRAWING No GPPS-MHT-00-00-DR-C-0070 REV T3

P:\DC\132565_SchoolInfrastructure\PS2_Bulk_Earthworks\MHT\OT\TIME:13 Mar 2025 1:52pm

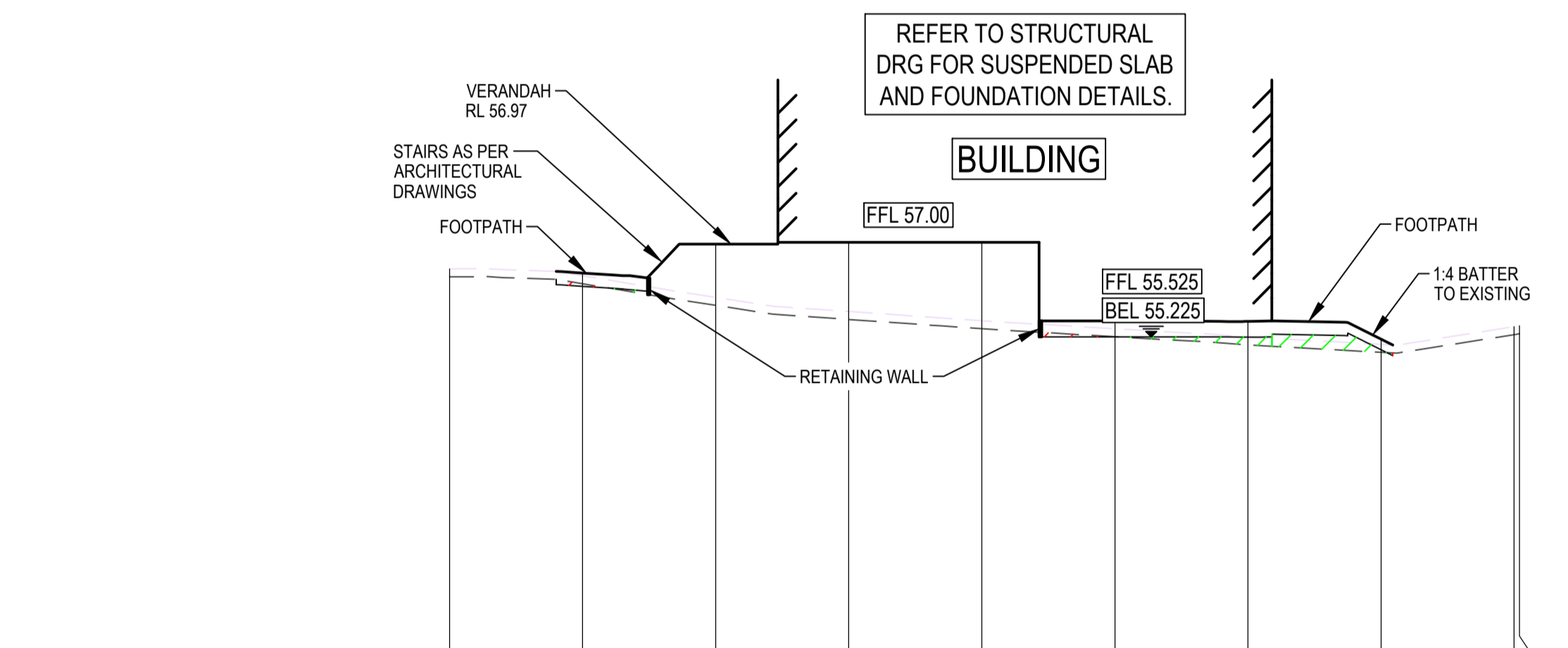
T2



SECTION SC01
1:200 (H)
1:100 (V)

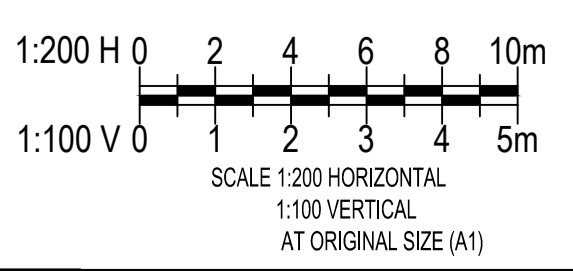


SECTION SC02
1:200 (H)
1:100 (V)



SECTION SC03
1:200 (H)
1:100 (V)

REV	DESCRIPTION	BY	DES	CHKD	DATE
P1	80% SCHEMATIC DESIGN	D.H.	G.P.	Y.C.	12.12.24
P2	100% SCHEMATIC DESIGN	D.H.	G.P.	Y.C.	16.01.25
T1	TENDER ISSUE	D.H.	G.P.	Y.C.	21.02.25
T2	TENDER ISSUE	D.H.	G.P.	Y.C.	13.03.25



MEINHARDT
Meinhardt Infrastructure and Environment PTY. LTD.
A.C.N. 651 627 591
Level 4, 65 Clarence Street
Sydney NSW 2000
Australia
T: +61 2 9559 3088
F: +61 2 9319 7518
info@meinhardtgroup.com
http://www.meinhardtgroup.com
© Copyright

CLIENT
NSW GOVERNMENT
School Infrastructure NSW

TITLE
BULK EARTHWORKS
LONGITUDINAL SECTIONS

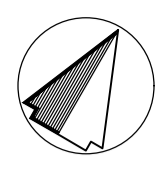
PROJECT
GREENWAY PARK PUBLIC SCHOOL
WYATTVILLE DRIVE, CARNES HILL NSW 2171

STATUS
TENDER ISSUE
NOT TO BE USED FOR CONSTRUCTION

DRAWN	DESIGNED	CHECKED	APPROVED	DATE	SCALE @ AT
M.D.	G.P.	Y.C.			AS SHOWN

PROJECT No: 132565
DRAWING No: GPPS-MHT-00-00-DR-C-0080
REV: T2

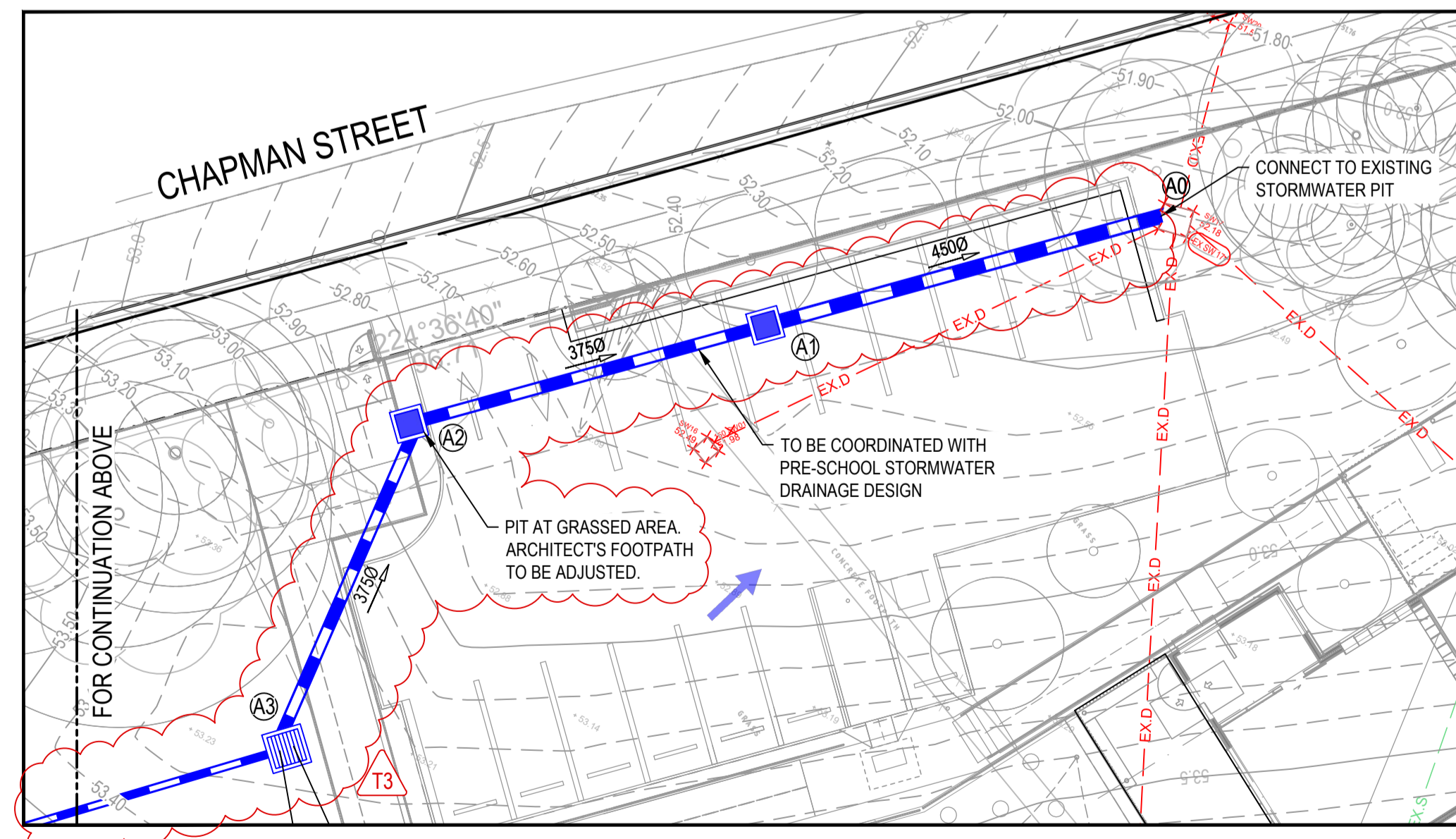
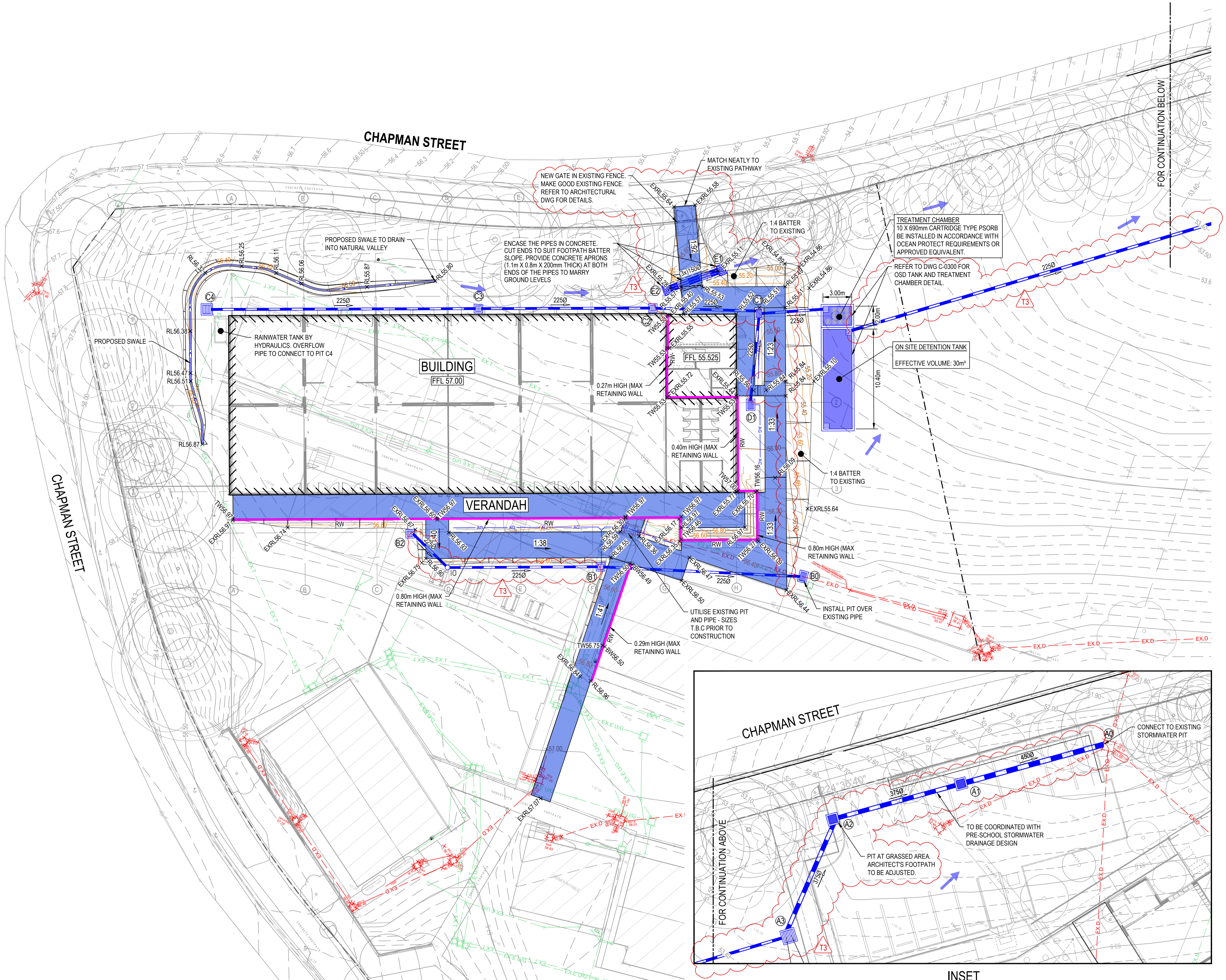
DRAWN BY: V132653, SYDNEY OFFICE, BULK CIVIC Drafting - MHT/OT TIME: 13 Mar 2025, 6:53pm



LEGEND	
ITEM	DESCRIPTION
156.6	EXISTING SURFACE CONTOURS
156.6	PROPOSED SURFACE CONTOURS
+156.60	EXISTING SURFACE SPOT LEVELS
+156.600	PROPOSED SURFACE SPOT LEVELS
-	TITLE BOUNDARY
RW	PROPOSED RETAINING WALL
EX.D	EXISTING STORMWATER DRAIN
2250	PROPOSED STORMWATER DRAIN AND FLOW DIRECTION
	SYPHONIC CONNECTION (REFER HYDRAULIC ENGINEERS DRGS)
AG	PROPOSED 1000 UPVC AGRICULTURAL DRAIN CLASS 400
EX	EXISTING STORMWATER PIT
EX	EXISTING STORMWATER PIT TO BE MODIFIED
EX	PROPOSED STORMWATER PIT
GI	1000 GRATED INLET (UNLESS NOTED OTHERWISE)
DP	DOWNPIPE
IO	INSPECTION OPENING
TG	TRENCH GRATE
	OVERLAND FLOW ARROW
	LIGHT DUTY CONCRETE PAVEMENT-PEDESTRIAN
EX.S	EXISTING SEWER
EX.G	EXISTING GAS
EX.W	EXISTING WATER
EX.WR	EXISTING RECYCLED WATER
EX.E	EXISTING ELECTRICITY
EX.E.UG	EXISTING ELECTRICAL UNDERGROUND
EX.E.LV	EXISTING LOW VOLTAGE ELECTRICITY
EX.E.HV	EXISTING HIGH VOLTAGE ELECTRICITY
EX.T	EXISTING TELECOM CABLE
EX.FD	EXISTING FIBRE OPTIC CABLE
EX.NBN	EXISTING NBN COMMS CABLE
X	EXISTING FEATURES TO BE REMOVED

THESE PLANS ARE BASED UPON THE EXISTING CONDITIONS SURVEY PREPARED BY ASTREA, REFERENCE No A4046 REV B DATED 18 OCTOBER 2023.

THESE DESIGN PLANS SHALL BE READ IN CONJUNCTION WITH GEOTECHNICAL REPORT No. PS206292-SYD-GEO-REP-001-REV01 DATED 17 NOVEMBER 2023 PREPARED BY WSP. THE PROVISIONS AND RECOMMENDATIONS CONTAINED WITHIN THE REPORT ARE TO BE STRICTLY COMPLIED WITH. ALL COMPACTION REQUIREMENT RESULTS SHALL BE CARRIED OUT IN ACCORDANCE WITH GEOTECHNICAL REPORT RECOMMENDATIONS.



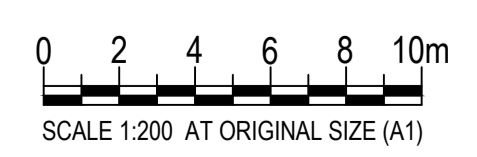
INSET



WARNING
PROPOSED SERVICES
 THE LOCATION AND EXTENT OF PROPOSED SERVICES IS INDICATIVE ONLY AND ARE NOT TO BE USED FOR CONSTRUCTION. REFER TO AUTHORISED DOCUMENTATION BY RELEVANT AUTHORITY FOR CONSTRUCTION DETAILS

WARNING
BEWARE OF UNDERGROUND SERVICES
 THE LOCATIONS OF UNDERGROUND SERVICES ARE APPROXIMATE ONLY AND THEIR EXACT POSITION SHOULD BE PROVEN ON SITE. NO GUARANTEE IS GIVEN THAT ALL EXISTING SERVICES ARE SHOWN.

REV	DESCRIPTION	BY	DES	CHKD	DATE
P1	80% SCHEMATIC DESIGN	D.H.	G.P.	Y.C.	12.12.24
P2	100% SCHEMATIC DESIGN	D.H.	G.P.	Y.C.	16.01.25
T1	TENDER ISSUE	D.H.	G.P.	Y.C.	21.02.25
T2	TENDER ISSUE	D.H.	G.P.	Y.C.	26.02.25
T3	TENDER ISSUE	D.H.	G.P.	Y.C.	13.03.25



MEINHARDT
 Meinhardt Infrastructure and Environment PTY. LTD.
 A.C.N. 651 627 591
 Level 4, 88 Clarence Street
 Sydney NSW 2000
 Australia
 T: +61 2 9559 3088
 F: +61 2 9319 7518
 info@meinhardtgroup.com
 http://www.meinhardtgroup.com
 © Copyright

CLIENT

School Infrastructure NSW

TITLE
CIVIL SITWORKS PLAN

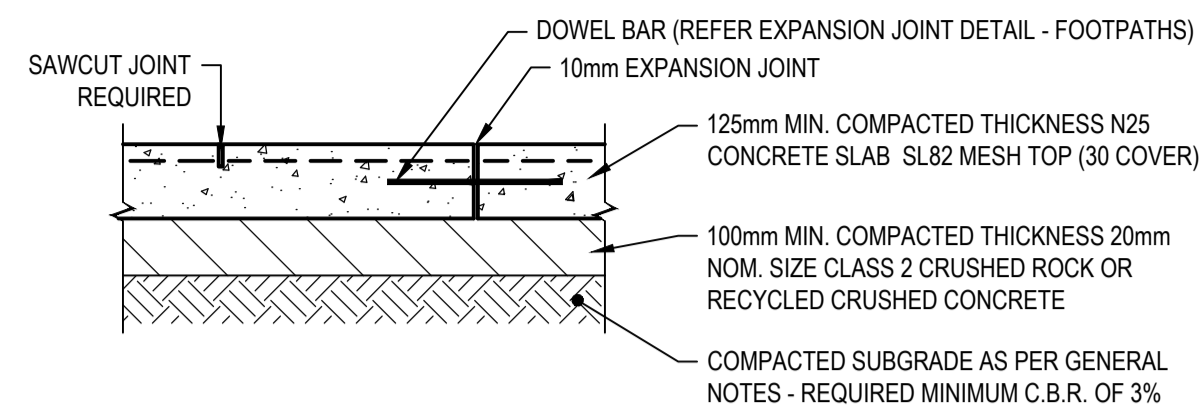
PROJECT
GREENWAY PARK PUBLIC SCHOOL
 WYATTVILLE DRIVE, CARNES HILL NSW 2171

STATUS
TENDER ISSUE
 NOT TO BE USED FOR CONSTRUCTION

DRAWN	DESIGNED	CHECKED	APPROVED	DATE	SCALE @ A1
M.D.	G.P.	Y.C.			1:200

PROJECT No: 132565
 DRAWING No: GPPS-MHT-00-00-DR-C-0101
 REV: T3

DWG FILE: V:\132565_SCHOOL INFRASTRUCTURE\PSSE_BUILD_CIVIL_DWG_Drawing - MHT\DWG TIME: 13 Mar 2025 10:09m

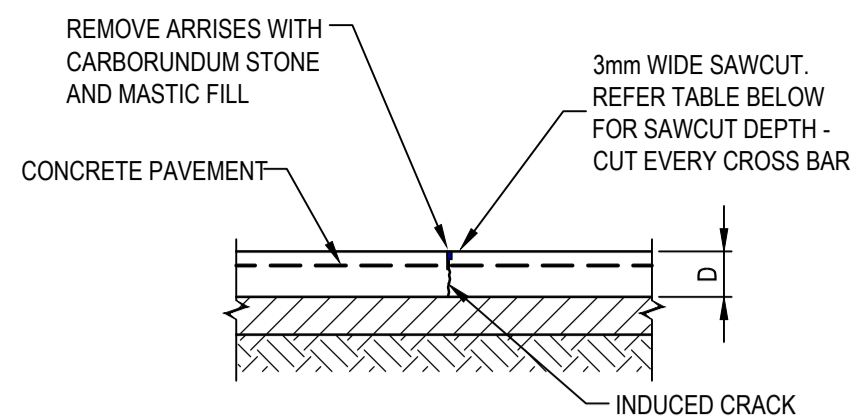


- NOTES:
- SAWCUT JOINTS 3mm WIDE x 1/4 SLAB DEEP CUT EVERY CROSS BAR
 - FULL DEPTH EXPANSION JOINTS WITH APPROVED EXPANSION JOINT MATERIAL SHALL BE PLACED, AT EVERY CHANGE OF GRADE AND AT CORNERS
 - REFER DESIGN PLAN FOR JOINTING LAYOUT
 - ALL ASPHALT AND CRUSHED ROCK MATERIALS AND CONSTRUCTION PROCEDURES SHALL COMPLY IN ALL RESPECTS WITH THE RELEVANT ROAD AUTHORITY SPECIFICATIONS

LIGHT DUTY CONCRETE PAVEMENT

N.T.S.
(PEDESTRIAN TRAFFIC AREAS ONLY)

AS SHOWN ON PLAN

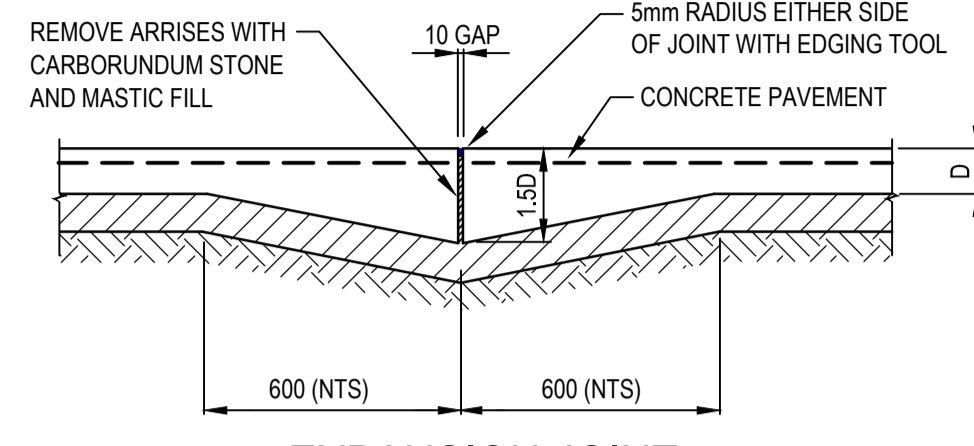


NOTE: MAKE SAWCUT AS SOON AS PRACTICABLE AFTER POURING OF SLAB WITHOUT CAUSING DAMAGE TO THE EDGE OF THE SAWCUT (REFER SAWCUTTING NOTE DETAILS FOR REQUIREMENTS)

SLAB THICKNESS (D)	MESH DEPTH	SAWCUT DEPTH
120	30	35
150	40	45
170	40	45
200	40	50

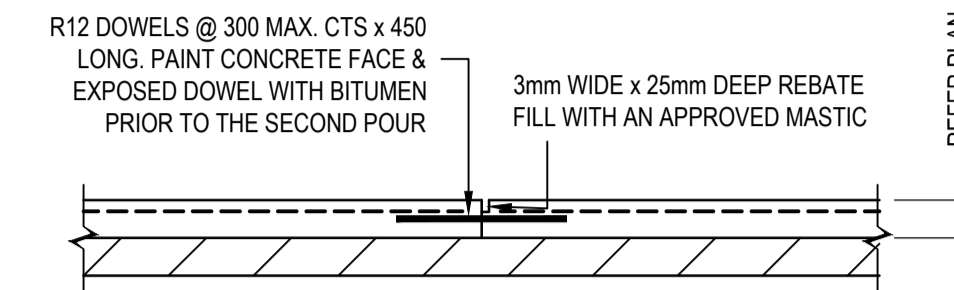
CONTRACTION (SAWCUT) JOINT

(SHOWN SJ ON PLAN)



EXPANSION JOINT

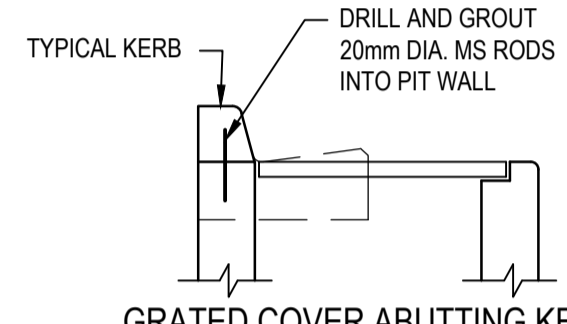
N.T.S.



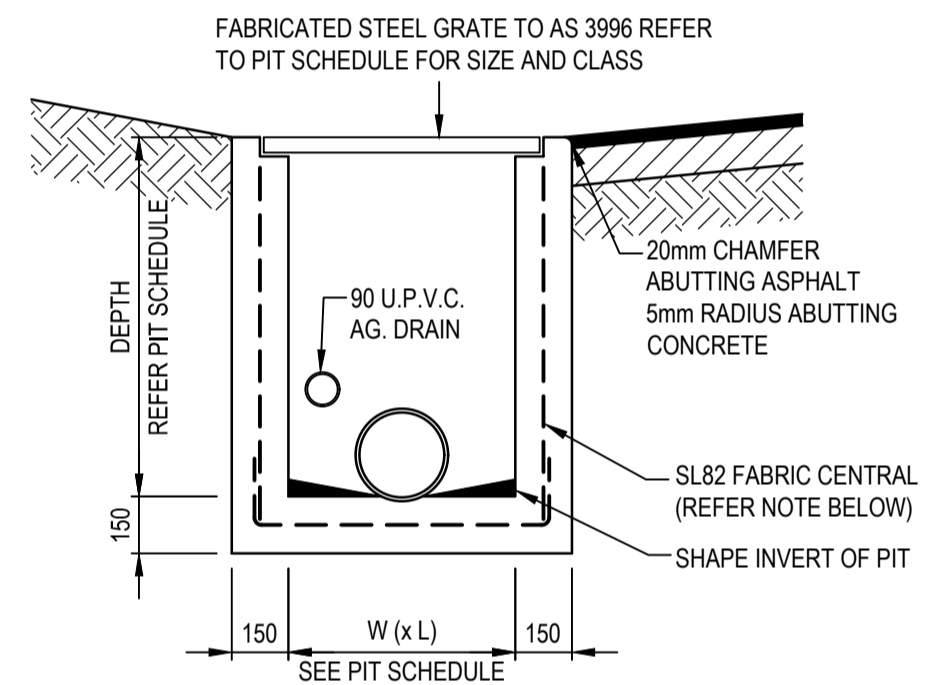
CONSTRUCTION JOINT DETAIL

FOR FOOTPATHS ONLY

(SHOWN CJ ON PLAN)



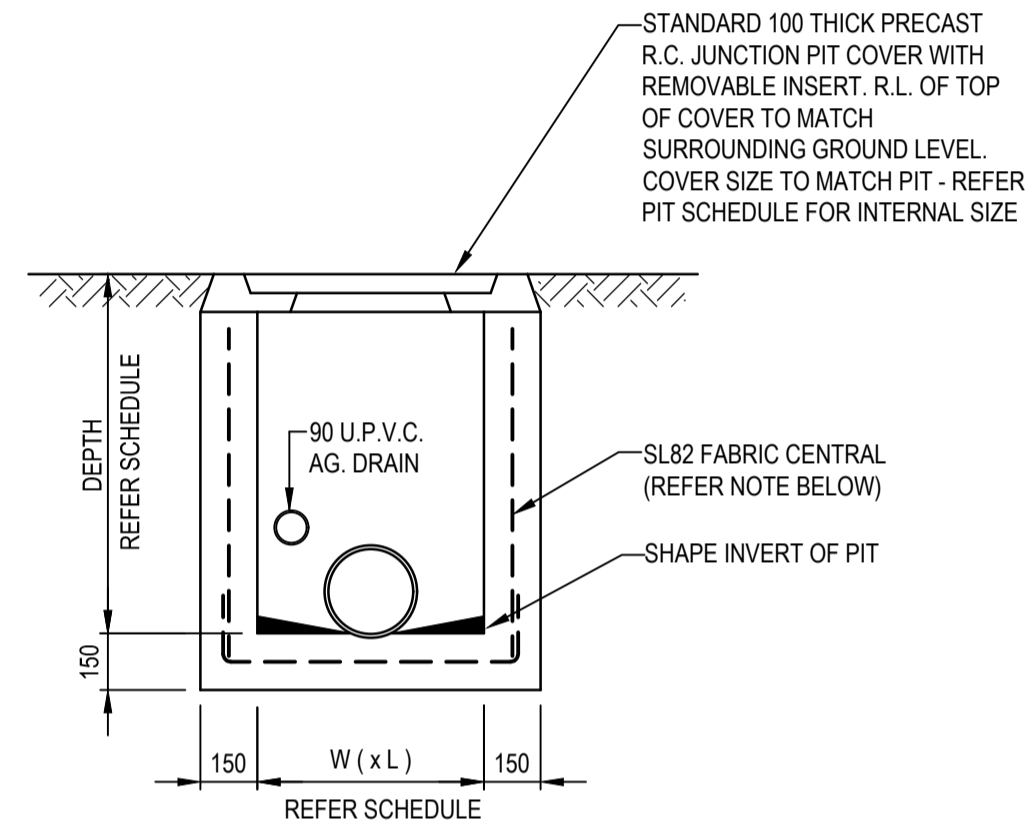
GRATED COVER ABUTTING KERB



- NOTES:
- PROVIDE 600mm LENGTH OF 90mm DIA. AGRICULTURAL PIPE CAST THROUGH UPSTREAM WALL OF PIT WITH GEOTEXTILE OR SIMILAR FILTER OVER.
 - REINFORCEMENT NOT REQUIRED IF DEPTH OF PIT IS LESS THAN 1000mm.
 - PROVIDE STEP IRONS AT 300mm MAX. CTS. IF DEPTH OF PIT EXCEEDS 1000mm
 - PRECAST PITS ARE TO GENERALLY COMPLY WITH THESE DETAILS.

GRATED PIT DETAIL

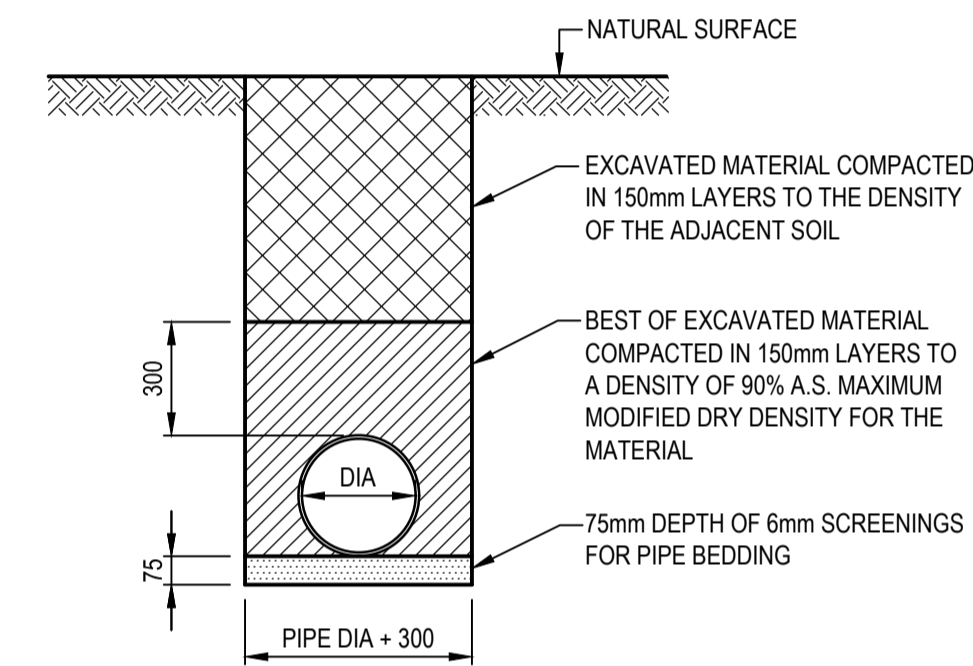
N.T.S.



- NOTES:
- PROVIDE 600mm LENGTH OF 90mm DIA. AGRICULTURAL PIPE CAST THROUGH UPSTREAM WALL OF PIT WITH GEOTEXTILE OR SIMILAR FILTER OVER.
 - REINFORCEMENT NOT REQUIRED IF DEPTH OF PIT IS LESS THAN 1000mm.
 - PROVIDE STEP IRONS AT 300mm MAX. CTS. IF DEPTH OF PIT EXCEEDS 1000mm
 - PRECAST PITS ARE TO GENERALLY COMPLY WITH THESE DETAILS.

JUNCTION PIT (R.C. COVER)

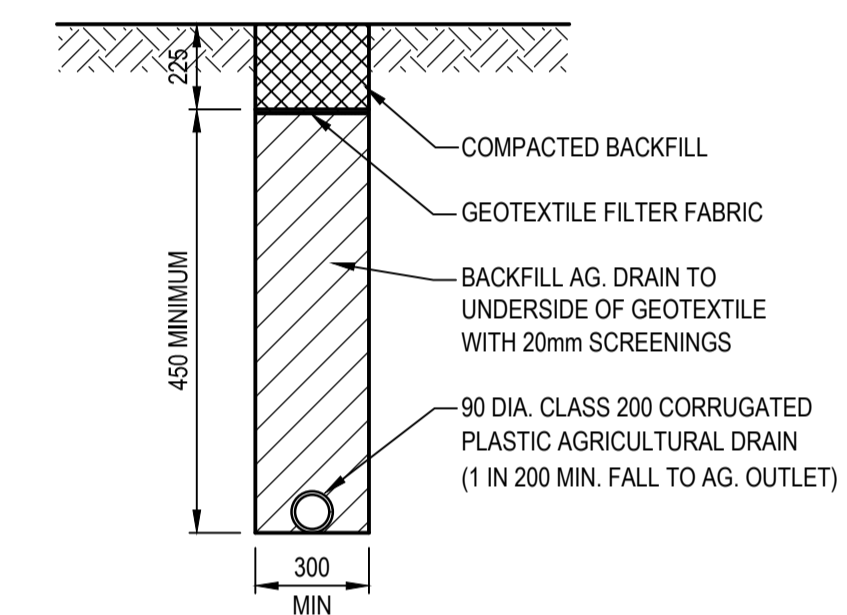
N.T.S.



PIPE LAYING DETAILS (ALL PIPES)

UNDER LANDSCAPED AREAS

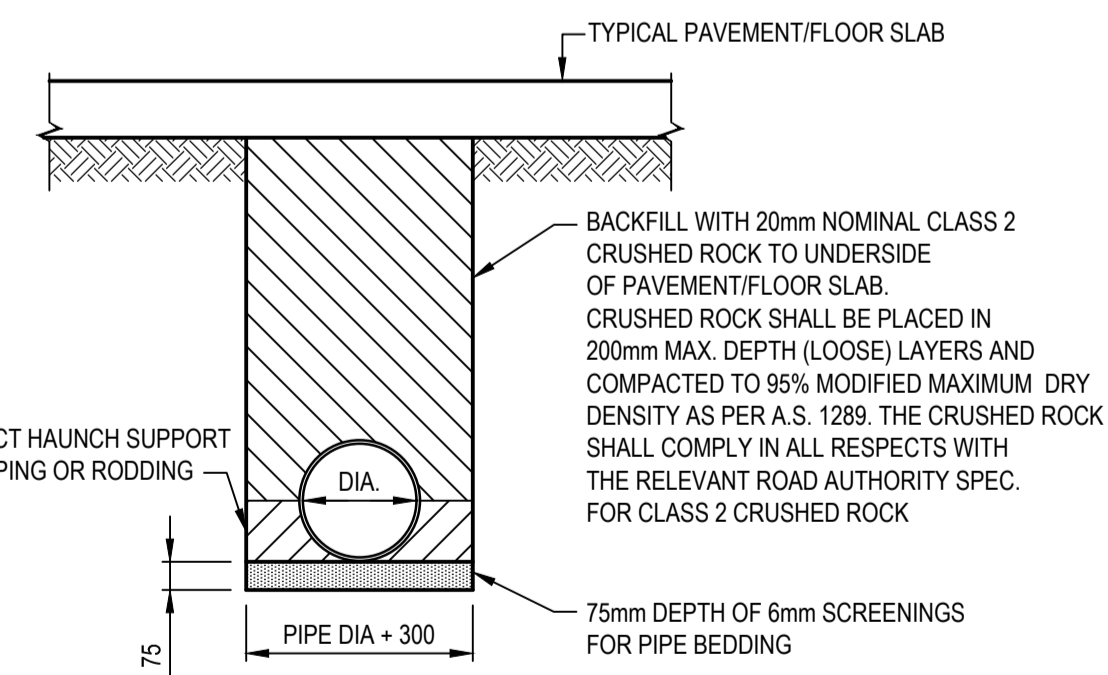
N.T.S.



AG. PIPE LAYING DETAILS

UNDER LANDSCAPED AREAS

N.T.S.

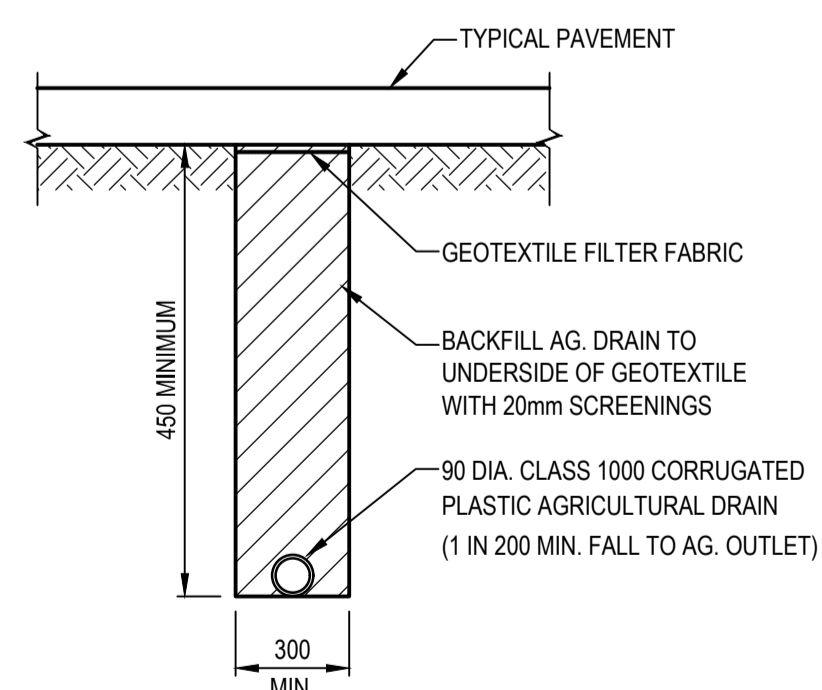


NOTE: AVOID RUNNING CONSTRUCTION EQUIPMENT OVER THE PIPES UNTIL BACKFILL MATERIAL IS 300mm MIN. ABOVE CROWN OF PIPE.

PIPE LAYING DETAILS

UNDER ALL PAVEMENTS/FLOORS

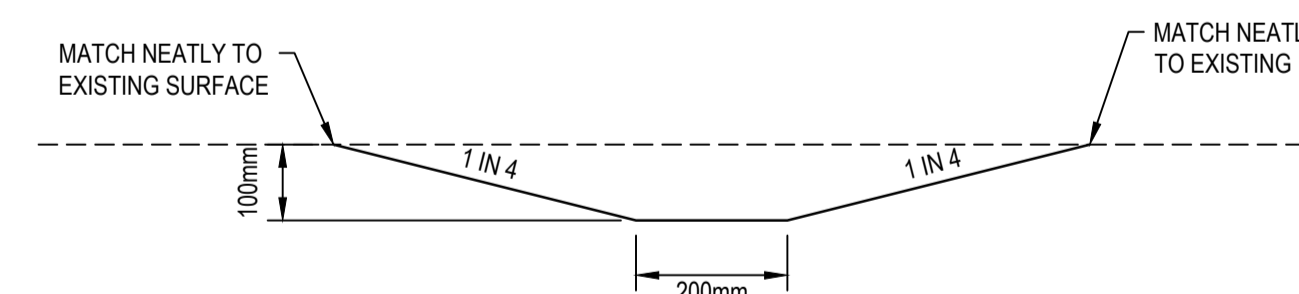
N.T.S.



AG. PIPE LAYING DETAILS

UNDER PAVED AREAS

N.T.S.



TYPICAL SWALE DETAIL

SCALE 1:20

DRAWN BY: V13263, SWSW/DAWNEY/PSB, BNS, CIVIL/DAWNEY, MHT/OT TIME: 17 Feb 2025, 10:05am

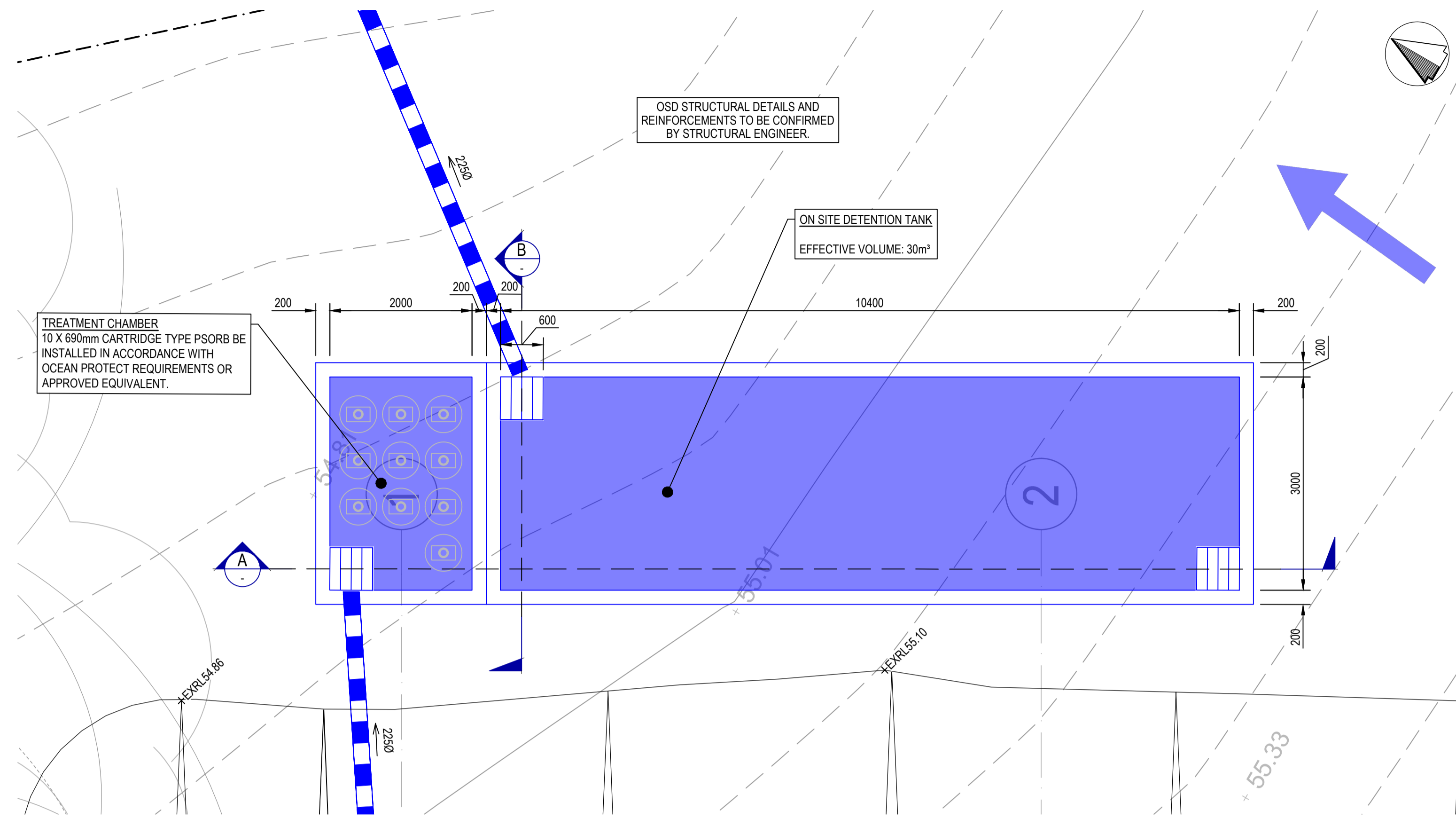
REV	DESCRIPTION	BY	DES	CHKD	DATE
P1	100% SCHEMATIC DESIGN	D.H.	G.P.	Y.C.	16.01.25
T1	TENDER ISSUE	D.H.	G.P.	Y.C.	21.02.25



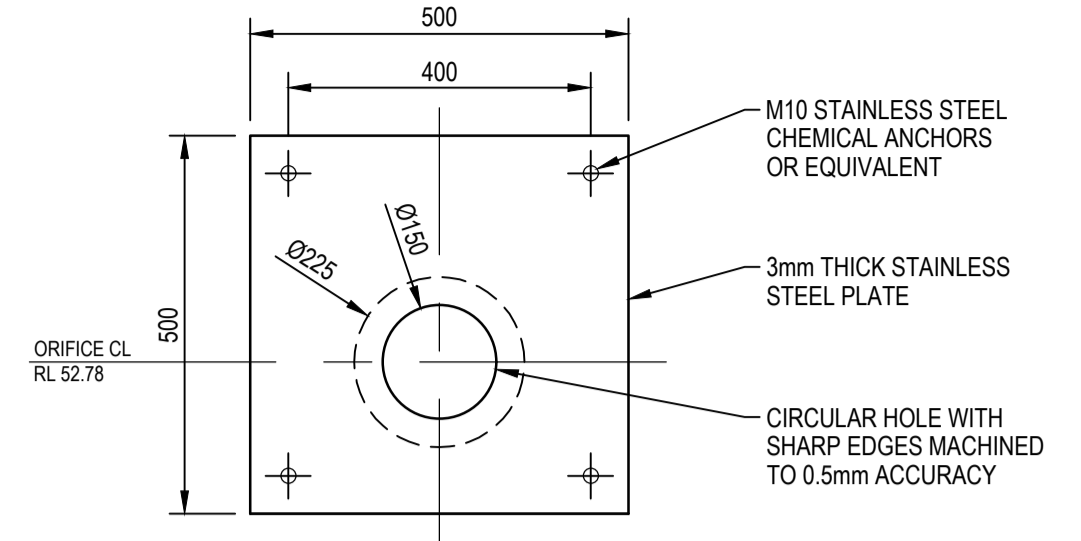
Meinhardt Infrastructure and Environment PTY. LTD.
A.C.N. 651 627 591
Level 4, 66 Clarence Street
Sydney NSW 2000
Australia
T: +61 2 9559 3088
F: +61 2 9319 7518
info@meinhardtgroup.com
http://www.meinhardtgroup.com
© Copyright

CLIENT	
School Infrastructure NSW	
TITLE	
CIVIL DETAILS	

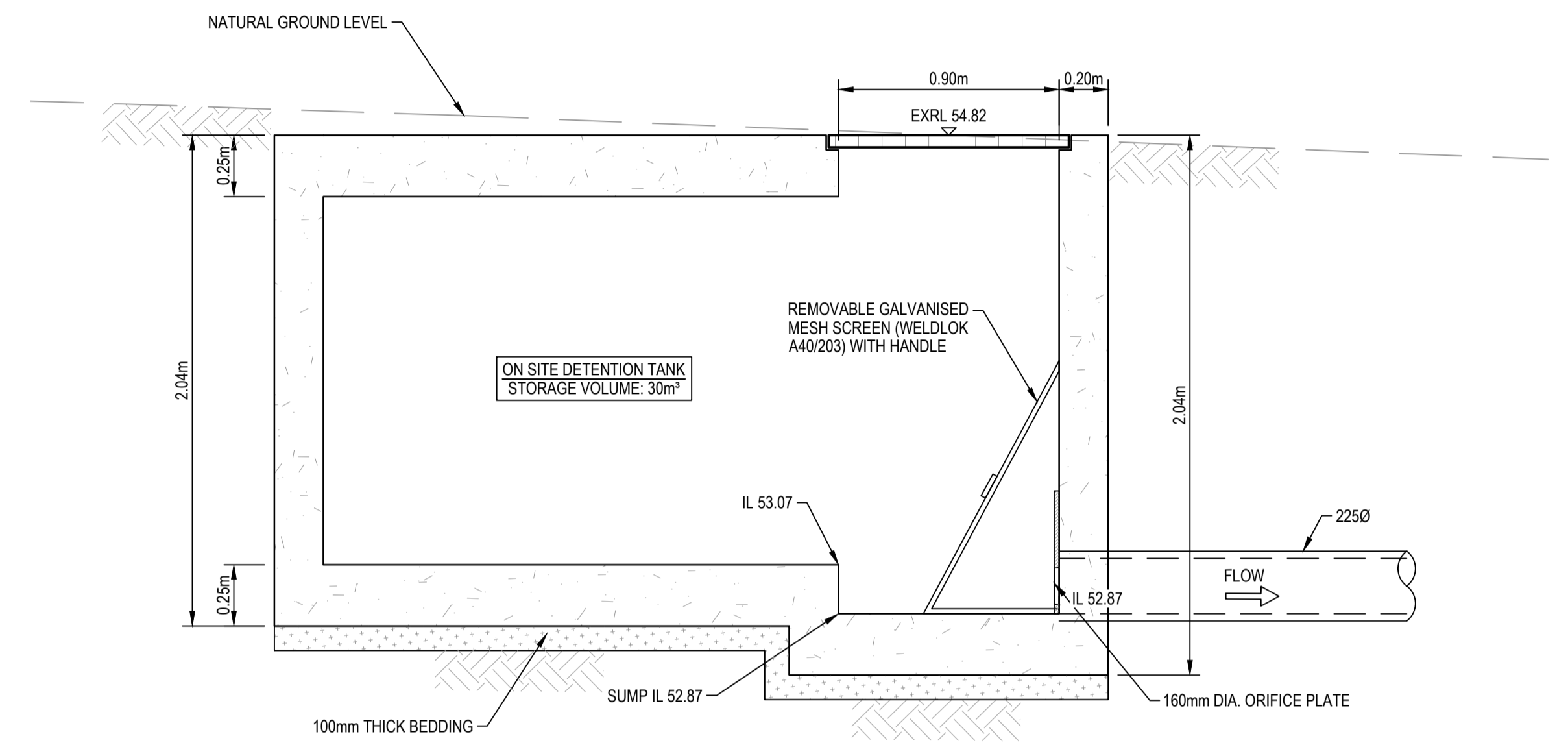
PROJECT											
GREENWAY PARK PUBLIC SCHOOL WYATTVILLE DRIVE, CARNES HILL NSW 2171											
STATUS											
TENDER ISSUE NOT TO BE USED FOR CONSTRUCTION											
STATUS	SCALE @ AT AS SHOWN										
<table border="1"> <thead> <tr> <th>M.D</th> <th>DESIGNED</th> <th>CHECKED</th> <th>APPROVED</th> <th>DATE</th> </tr> </thead> <tbody> <tr> <td>G.P</td> <td>Y.C</td> <td></td> <td></td> <td></td> </tr> </tbody> </table>	M.D	DESIGNED	CHECKED	APPROVED	DATE	G.P	Y.C				T1
M.D	DESIGNED	CHECKED	APPROVED	DATE							
G.P	Y.C										
PROJECT No	REV										
132565											
DRAWING No											
GPPS-MHT-00-00-DR-C-0200											



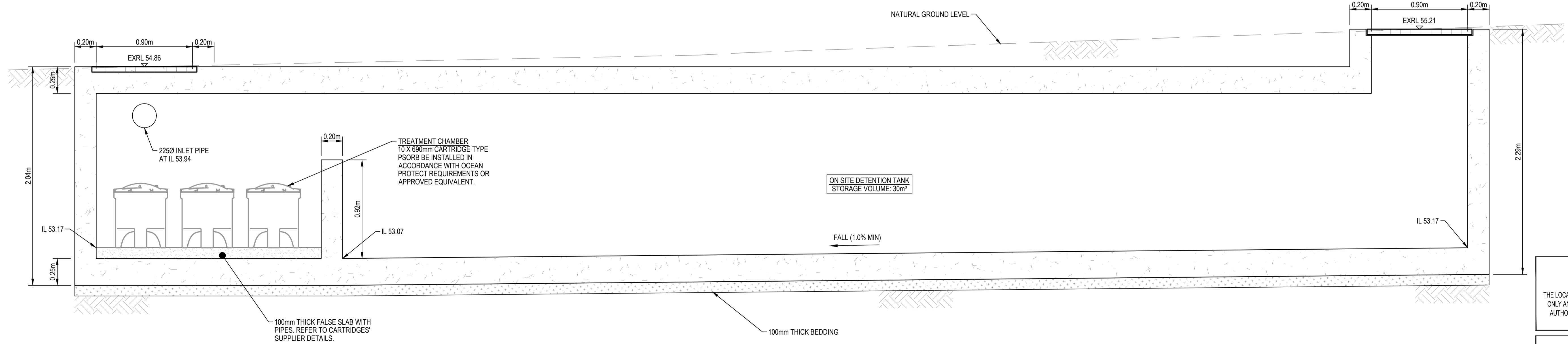
ON-SITE DETENTION TANK - PLAN
SCALE 1:50



ORIFICE PLATE DETAIL
SCALE 1:10



SECTION B
SCALE 1:20



SECTION A
SCALE 1:20

WARNING
PROPOSED SERVICES
THE LOCATION AND EXTENT OF PROPOSED SERVICES IS INDICATIVE ONLY AND ARE NOT TO BE USED FOR CONSTRUCTION. REFER TO AUTHORISED DOCUMENTATION BY RELEVANT AUTHORITY FOR CONSTRUCTION DETAILS

WARNING
BEWARE OF UNDERGROUND SERVICES
THE LOCATIONS OF UNDERGROUND SERVICES ARE APPROXIMATE ONLY AND THEIR EXACT POSITION SHOULD BE PROVEN ON SITE. NO GUARANTEE IS GIVEN THAT ALL EXISTING SERVICES ARE SHOWN.



REV	DESCRIPTION	BY	DES	CHKD	DATE
T1	TENDER ISSUE	DH	G.P	Y.C	21.02.25



MEINHARDT
Meinhardt Infrastructure and Environment PTY. LTD.
A.C.N. 651 627 591
Level 4, 65 Clarence Street
Sydney NSW 2000
Australia
T: +61 2 9559 3088
F: +61 2 9319 7518
info@meinhardtgroup.com
http://www.meinhardtgroup.com
© Copyright

CLIENT
NSW GOVERNMENT
School Infrastructure NSW
TITLE
ON-SITE DETENTION TANK DETAILS

PROJECT
GREENWAY PARK PUBLIC SCHOOL
WYATTVILLE DRIVE, CARNES HILL NSW 2171
STATUS
TENDER ISSUE
NOT TO BE USED FOR CONSTRUCTION
DRAWN M.D
DESIGNED G.P
CHECKED Y.C
APPROVED
DATE
SCALE @ A1 AS SHOWN
PROJECT No 132565
DRAWING No GPPS-MHT-00-00-DR-C-0300
REV T1

DWG FILE: V:\132565_SCHOOL INFRASTRUCTURE\PSORB BE_BLDG_CIVIL_Dwg.dwg - MHPLOT TIME: 21 Feb 2025 9:58pm

PIT SCHEDULE												
PIT				INTERNAL		INLET		OUTLET		PIT		REMARKS
NAME	TYPE	EASTING	NORTHING	WD	LEN	DIA	INV LEV	DIA	INV LEV	SETOUT RL	DEPTH	
A3	SURFACE INLET PIT 1200x1200	300111.701	6242663.033	1.20	1.20	225	51.99	375	51.97	53.24	1.27	
A2	JUNCTION PIT 900x900	300109.585	6242675.883	0.90	0.90	375	51.70	375	51.68	52.93	1.25	
A1	JUNCTION PIT 900x900	300119.320	6242685.763	0.90	0.90	375	51.45	450	51.11	52.57	1.46	
A0	EXISTING PIT	300130.680	6242696.872	0.60	0.60	450	50.95			52.30	1.37	EXISTING PIT
B2	SURFACE INLET PIT 600x600	300051.472	6242588.997	0.60	0.60			225	56.00	56.69	0.69	
B1	SURFACE INLET PIT 600x600	300070.387	6242595.949	0.60	0.60	225	55.67	225	55.65	56.48	0.82	
B0	SURFACE INLET PIT 900x600	300089.191	6242605.613	0.90	0.60	225	55.44			56.26	1.18	
C4	SURFACE INLET PIT 900x900	300021.408	6242598.654	0.90	0.90			225	55.55	56.42	0.87	WITH RAINWATER TANK OVERFLOW PIPE
C3	SURFACE INLET PIT 600x600	300045.894	6242612.893	0.60	0.60	225	54.91	225	54.89	55.76	0.87	
C2	SURFACE INLET PIT 600x600	300061.618	6242622.037	0.60	0.60	225	54.58	225	54.56	55.41	0.85	
C1	SURFACE INLET PIT 900x600	300071.322	6242627.095	0.60	0.90	225	54.50	225	54.42	55.51	1.08	
						225	54.44					
D1	SURFACE INLET PIT 900x600	300075.501	6242618.398	0.60	0.90			225	54.79	55.86	1.07	
E2	PIPE INLET	300062.170	6242624.714	0.74	0.08			(3x)150	55.28	55.43	0.15	INLET FOR 3x150mm uPVC, WITH CONCRETE APRON
E1	PIPE OUTLET	300065.599	6242628.796	0.74	0.08	(3x)150	55.11			55.26	0.15	OUTLET FOR 3x150mm uPVC, WITH CONCRETE APRON

REFER TO DWG C-0300 FOR OSD TANK AND TREATMENT CHAMBER DETAIL.

REV	DESCRIPTION	BY	DES	CHKD	DATE
P1	100% SCHEMATIC DESIGN	D.H.	G.P.	Y.C.	16.01.25
T1	TENDER ISSUE	D.H.	G.P.	Y.C.	21.02.25
T2	TENDER ISSUE	D.H.	G.P.	Y.C.	13.03.25



Meinhardt Infrastructure and Environment PTY. LTD.
A.C.N. 651 627 591
Level 4, 65 Clarence Street
Sydney NSW 2000
Australia
T: +61 2 9559 3088
F: +61 2 9319 7518
info@meinhardtgroup.com
http://www.meinhardtgroup.com
© Copyright

CLIENT
School Infrastructure NSW

TITLE
**STORMWATER DRAINAGE
PIT SCHEDULE**

PROJECT
**GREENWAY PARK PUBLIC SCHOOL
WYATTVILLE DRIVE, CARNES HILL NSW 2171**

STATUS
**TENDER ISSUE
NOT TO BE USED FOR CONSTRUCTION**

DRAWN	DESIGNED	CHECKED	APPROVED	DATE	SCALE @ A1
M.D	G.P	Y.C			AS SHOWN
PROJECT No	DRAWING No		REV		
132565	GPPS-MHT-00-00-DR-C-0710		T2		